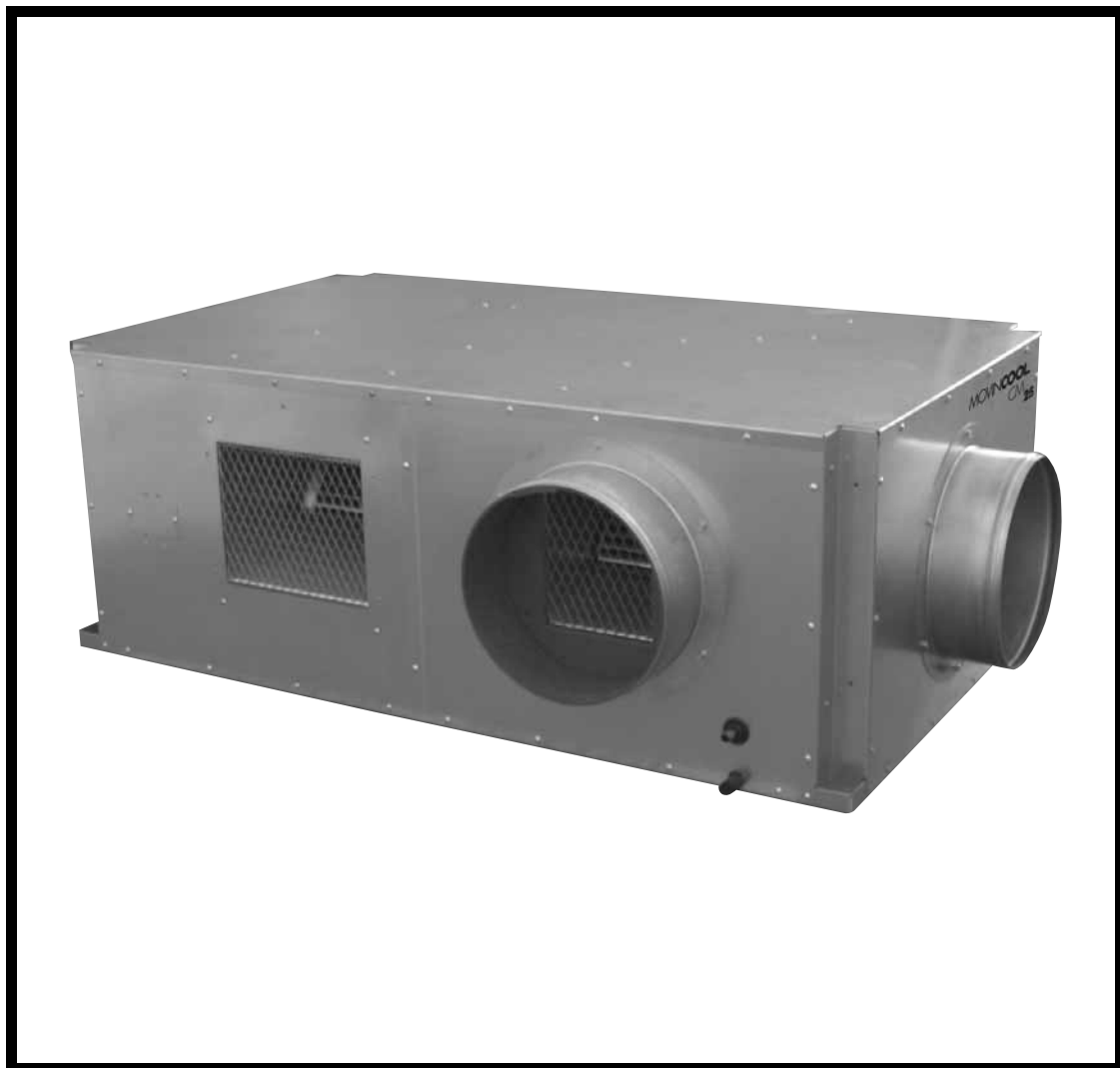


OPERATION MANUAL

CM25

SERIAL NUMBER FROM OCTOBER 2009 (1009) TO PRESENT



**READ THIS MANUAL CAREFULLY FOR INSTRUCTIONS ON CORRECT
INSTALLATION AND USAGE, AND READ ALL SAFEGUARDS.**

SECCIÓN EN ESPAÑOL
SECTION EN FRANÇAIS
AVAILABLE AT WWW.MOVINCOOL.COM



MOVINCOOL®
THE #1 SPOT COOLING SOLUTION

© 2009 DENSO SALES CALIFORNIA, INC.

All rights reserved. This book may not be reproduced or copied, in whole or in part, without the written permission of the publisher.

DENSO SALES CALIFORNIA, INC. reserves the right to make changes without prior notice. MovinCool is a registered trademark of DENSO Corporation.

OPERATION MANUAL

CM25

MOVINCOOL®
THE #1 SPOT COOLING SOLUTION

Table of Contents

FOREWORD	6
Definition of Terms	6
GENERAL WARNINGS & CAUTIONS	6
UNPACKING	7
INVENTORY	8
INSTALLATION	9
Unit Overview	9
Clearance Requirement	10
Mounting CM25 to Roof Structure	11
Drain Hose Connection	16
Packing Attachment	17
Ducting With Typical Drop Ceiling	18
Condenser Duct Installation (Optional)	19
Power Supply and Field Wiring Connection	20
DIP Switch Configuration and Setting	22
Supplied Wall Mounted Controller Connection	24
Field-Supplied Millivolt Wall Thermostat Connection	29
Warning Signal Connection (Output Signal)	32
Fire Alarm Connection (Input Signal)	34
FEATURES OF WALL MOUNTED CONTROLLER	36
FEATURES OF CM25	37
OPERATION (Wall Mounted Controller ONLY)	38
Controller Panel	38
Standby Mode	41
Set Clock	41
Operate in COOL Mode	42
Operate in FAN ONLY Mode	43
Change Mode	43
Change Temperature Scale	43
Keypad Lock	43
Program Feature	43
Program Setting	44
Select Program Sequence Number	45
Set Start Time and Operation Mode	45
Set Stop Time	46
Exit Program Mode	46
View Program	46
Edit Program	47
Delete Program	47
Run and Stop Program	47

Program Plan Sheet	48
SELF-DIAGNOSTIC CODES & BUZZER PATTERN.....	49
Self-Diagnostic Codes	49
Table of Self-Diagnostic Codes.....	49
Buzzer Pattern	50
DAILY INSPECTION & MAINTENANCE.....	51
Cleaning Air Filters	51
Cleaning Condenser Air Intake	51
Ground Fault Breaker Testing.....	51
TROUBLESHOOTING	52
TECHNICAL SPECIFICATIONS.....	58

FOREWORD

Congratulations on purchasing the MovinCool air conditioner. This manual explains how to assemble, install and operate the MovinCool CM25 air conditioning unit. Please read this operation manual thoroughly to familiarize yourself with the features of the unit and to ensure years of reliable operation.

You may also find it useful to keep this operation manual on hand for reference. Components and/or procedures are subject to change without prior notice.

Definition of Terms



WARNING: Describes precautions that should be observed in order to prevent injury to the user during installation or unit operation.



CAUTION: Describes precautions that should be observed in order to prevent damage to the unit or its components, which may occur during installation or unit operation if sufficient care is not taken.

Note: Provides additional information that facilitates installation or unit operation.

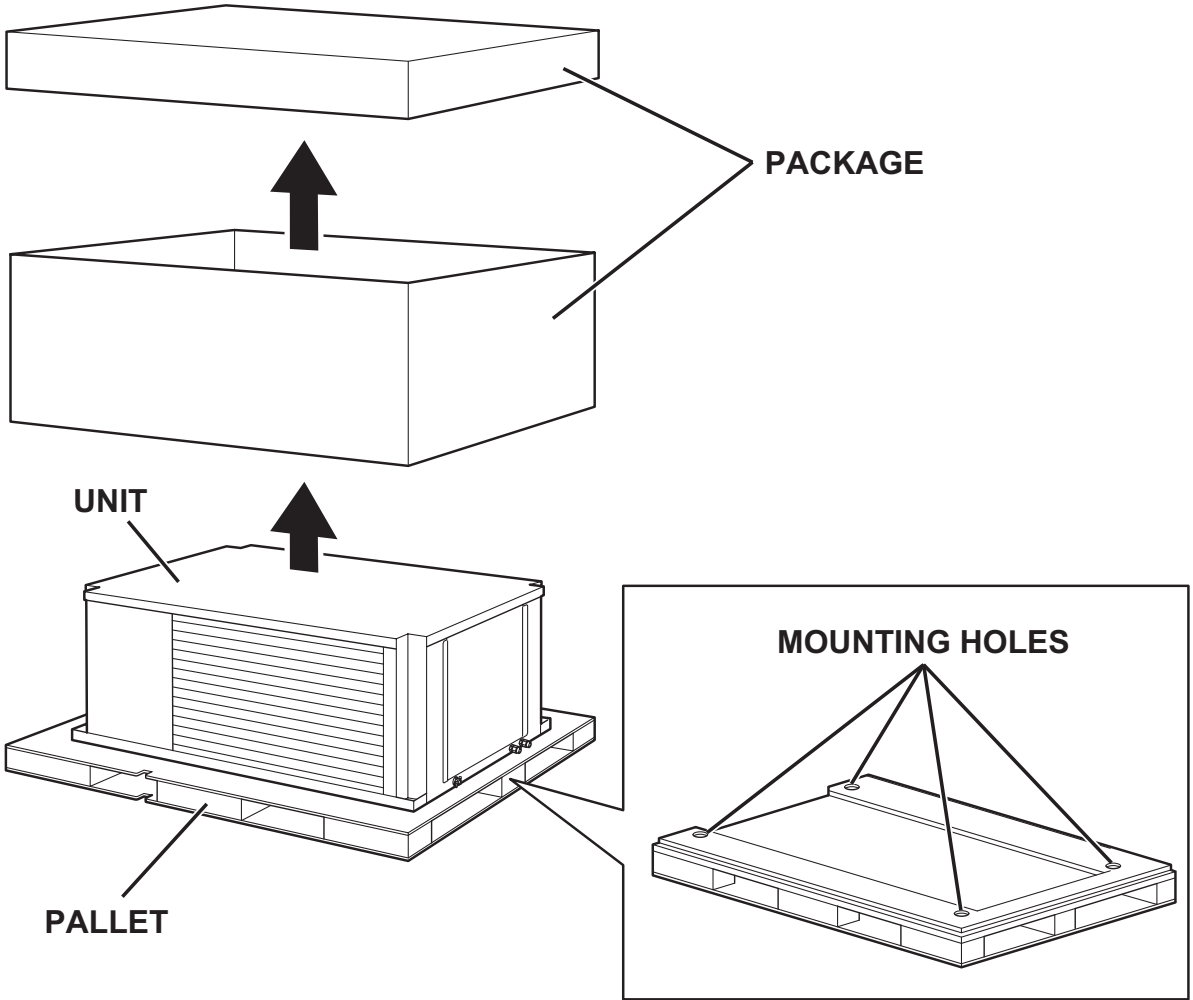
GENERAL WARNINGS & CAUTIONS

1. All electrical work should only be performed by qualified electrical personnel. Repair to electrical components by non-certified technicians may result in personal injury and/or damage to the unit. All electrical components replaced must be genuine MovinCool parts, purchased from an authorized reseller.
2. Installation should be conducted by qualified technician only. DENSO and DENSO affiliate are not responsible for injuries and/or damages caused by improper installation.
3. Do not place water or any other liquid on the unit. This can cause damage to the unit and increase the risk of electrical shock.
4. Do not sit or stand on the unit.
5. Do not place hands or any object in the cool air outlet or exhaust duct. Touching the fan, which is rotating at a high speed, is very hazardous.

UNPACKING

Remove the package as shown below.

*Note: The unit can be installed while the unit is on the pallet.
(See "Mounting CM25 to Roof Structure" on page 11 to 13.)*



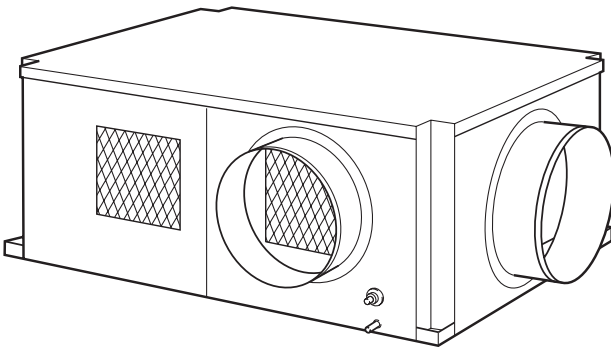
INVENTORY

After unpacking your MovinCool unit, please check to make sure you have the following items:

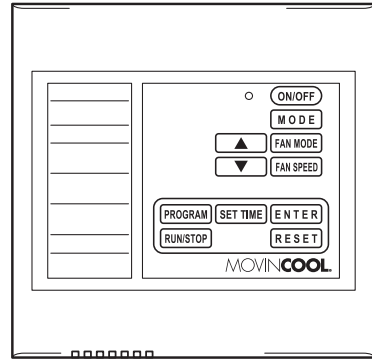
- 1. **CM25 MovinCool Unit (1)**
- 2. **Operation Manual/Product Registration (1)**
- 3. **Clip (1)**
- 4. **Packing (1)**
- 5. **Vibration Isolator (4)**
- 6. **Wall Mounted Controller (1)**
- 7. **Shield Wire (1)**
- 8. **Screw (4)**

Note: If any of these items were not included in the box or appear damaged, please contact your MovinCool reseller for replacement.

CM25 UNIT



WALL MOUNTED CONTROLLER



CLIP



SCREW FOR WALL MOUNTED CONTROLLER



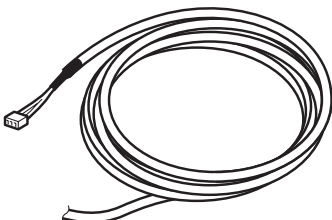
VIBRATION ISOLATOR



OPERATION MANUAL / PRODUCT REGISTRATION



SHIELD WIRE FOR WALL MOUNTED CONTROLLER (12 ft)

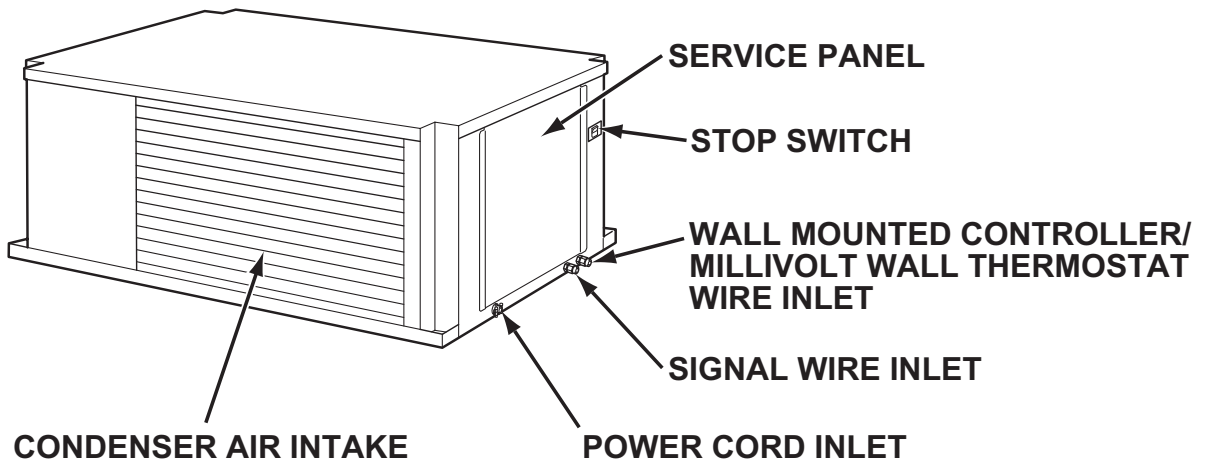
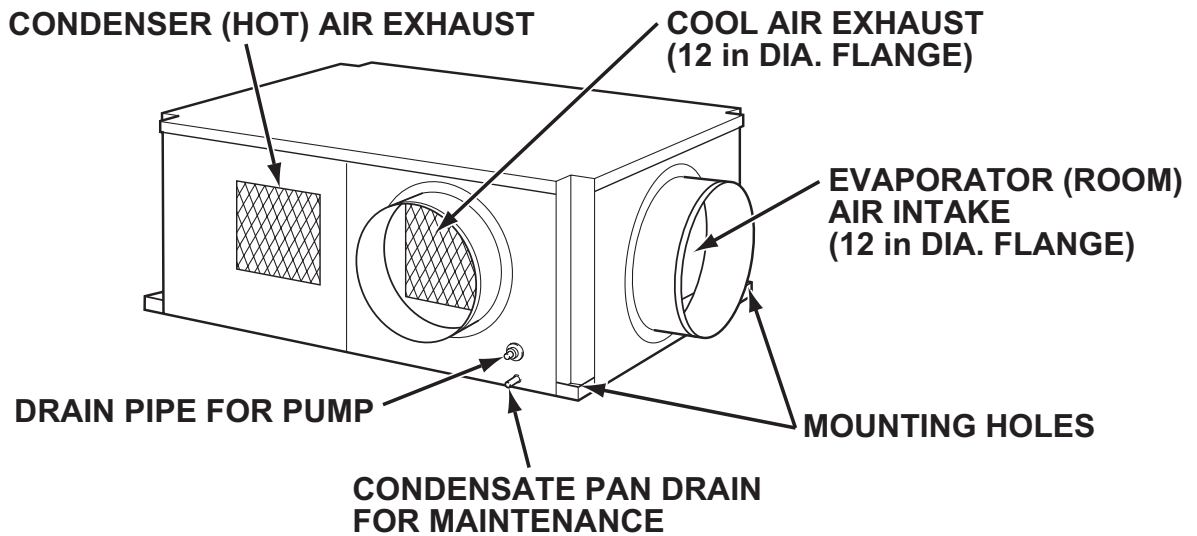


PACKING (1.8 x 43.9 x 0.2 in)



INSTALLATION

Unit Overview

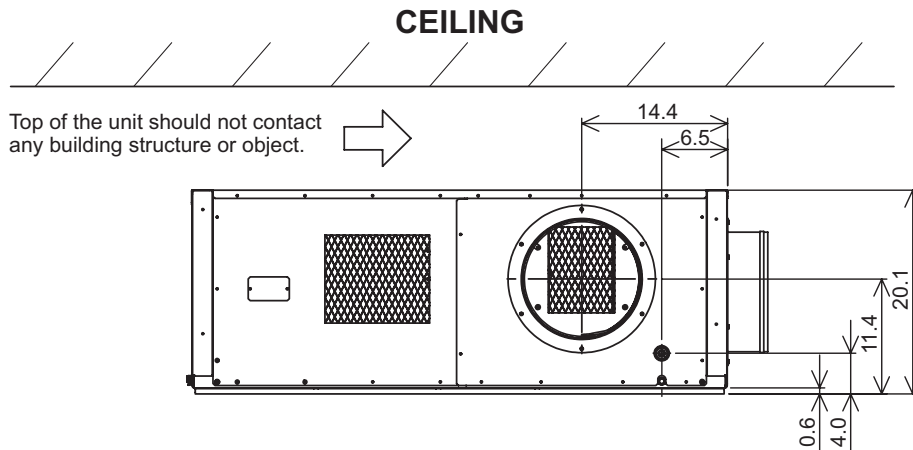
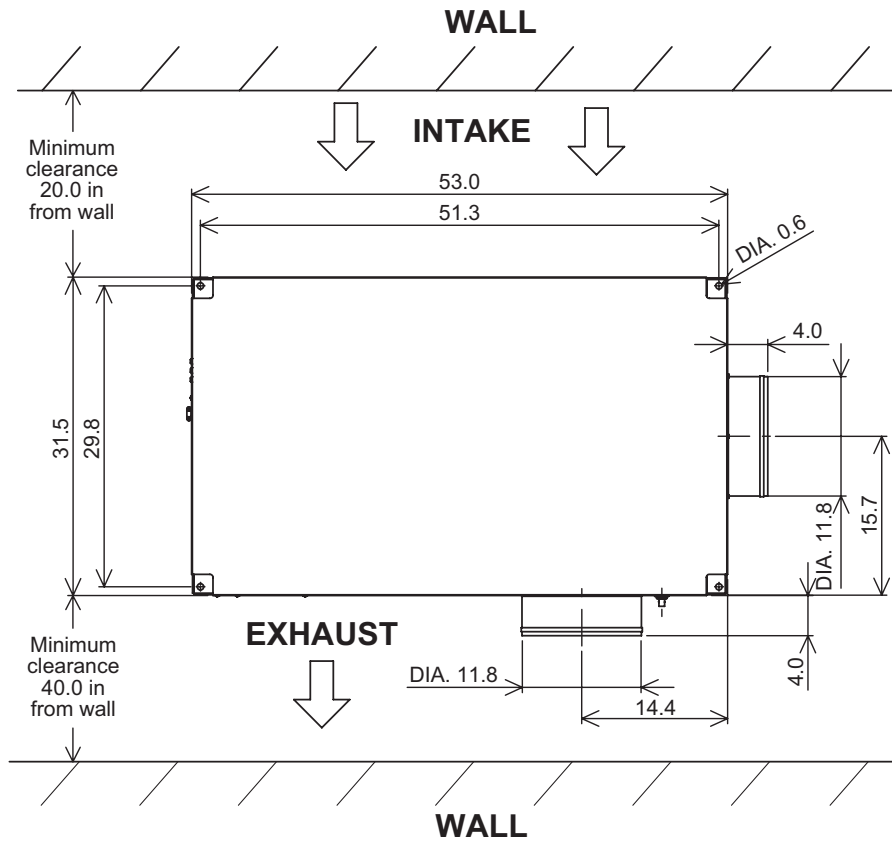


⚠ WARNING: Remove protective cardboard from condenser air intake after installation.

INSTALLATION (cont.)

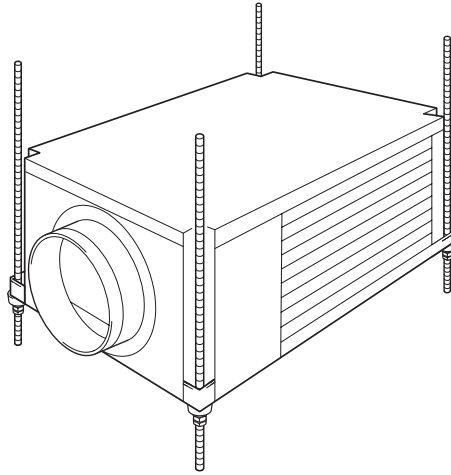
Clearance Requirement

All dimensions are in inches.
Unit Weight: 310 lb (140 kg)



INSTALLATION (cont.)

Mounting CM25 to Roof Structure



Be sure to securely anchor the top ends of the suspension rods. Make sure all nuts are tight. Be sure to follow all applicable codes. The unit is usually mounted above the ceiling and must be securely mounted to the roof structure. The ceiling support of the existing building may require reinforcements.

⚠ WARNING: Be sure that the supporting roof structure is capable of supporting the weight of the unit, mounting hardware and the accessories. Roof structure should be capable to support four times of total weight or more. Unit weight is 310 lb (140 kg).

The recommended clearance between ceiling grids and building structural member is the unit height plus 3.0 inch (76 mm).

All mounting hardware except vibration isolators is field supplied. Use the following hardware.

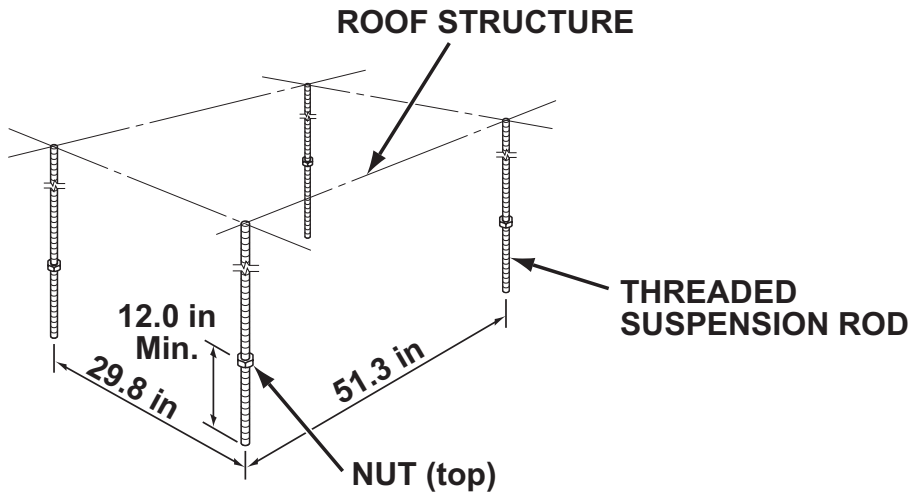
Hardware (Quantity)	Size
Threaded suspension rod (4)	1/2 in (Min. 310 lb (140 kg) load capability)
Nut (12)	1/2 in
Washer (4)	1/2 in

INSTALLATION (cont.)

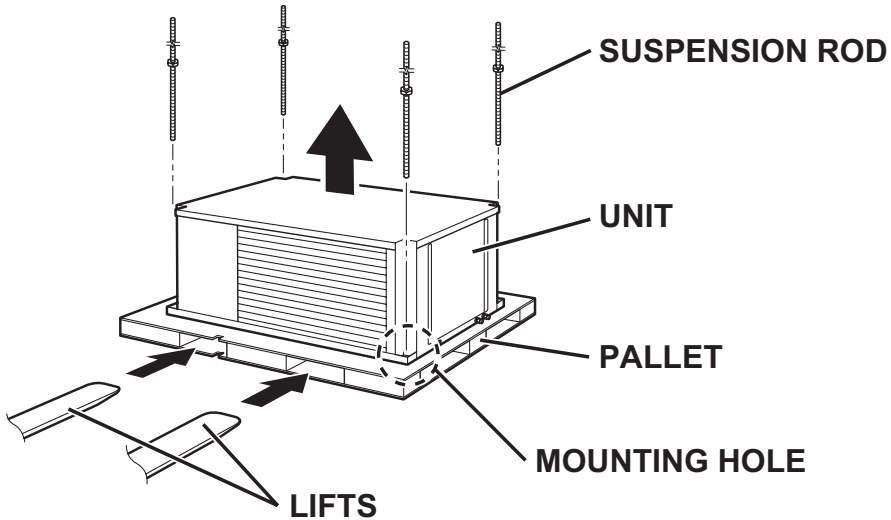
Mounting CM25 to Roof Structure (cont.)

Example of Mounting with Pallet

1. Install four (4) suspension rods by suspending them from suitable building structure members. Locate the rods so that they will align with four mounting holes that are part of the unit base. Make sure to securely anchor the top ends of the suspension rods and tighten all nuts.
2. Insert four (4) nuts (top) to the suspension rods before mounting the unit (12.0 inch minimum height from the bottom end of the suspension rods).



3. Locate the rods so that they will align with four mounting holes. Enter the lifts into pallet openings. Slowly lift up the unit with the pallet.

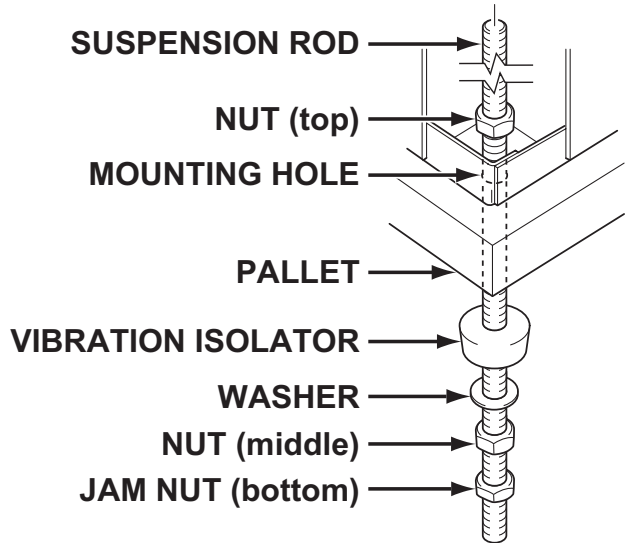


INSTALLATION (cont.)

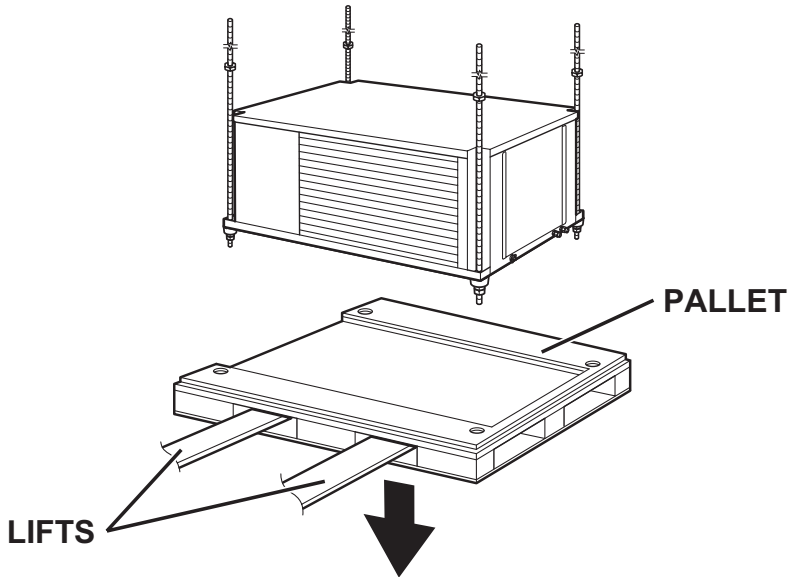
Mounting CM25 to Roof Structure (cont.)

Example of Mounting with Pallet

- 4. Insert the suspension rods through the mounting holes of unit and pallet. Then install vibration isolators, washers, nuts (middle) and jam nut (bottom) to be same level for all four mounting positions.



- 5. Slowly lower the pallet with the lifts.



- 6. Make sure the unit is level.
Level must be less than 2° incline.
If the unit is not level, align the nut (middle) to level.

CAUTION: If level is more than 2° incline, condensation water leakage may occur.

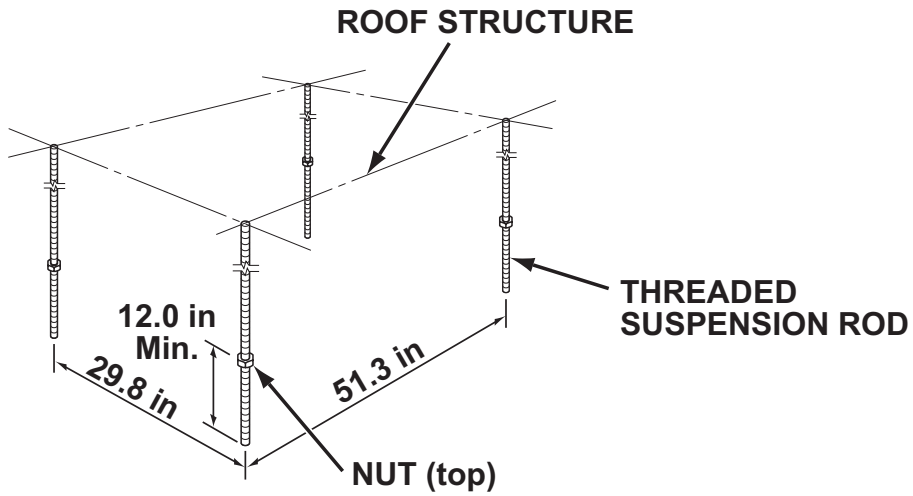
- 7. Tighten the jam nut (bottom).
Tightening torque for jam nut: Approx. 3.02 ft•lbf (4.1 N•m)
- 8. Tighten the nut (top) by hand until it is secured against the base frame.

INSTALLATION (cont.)

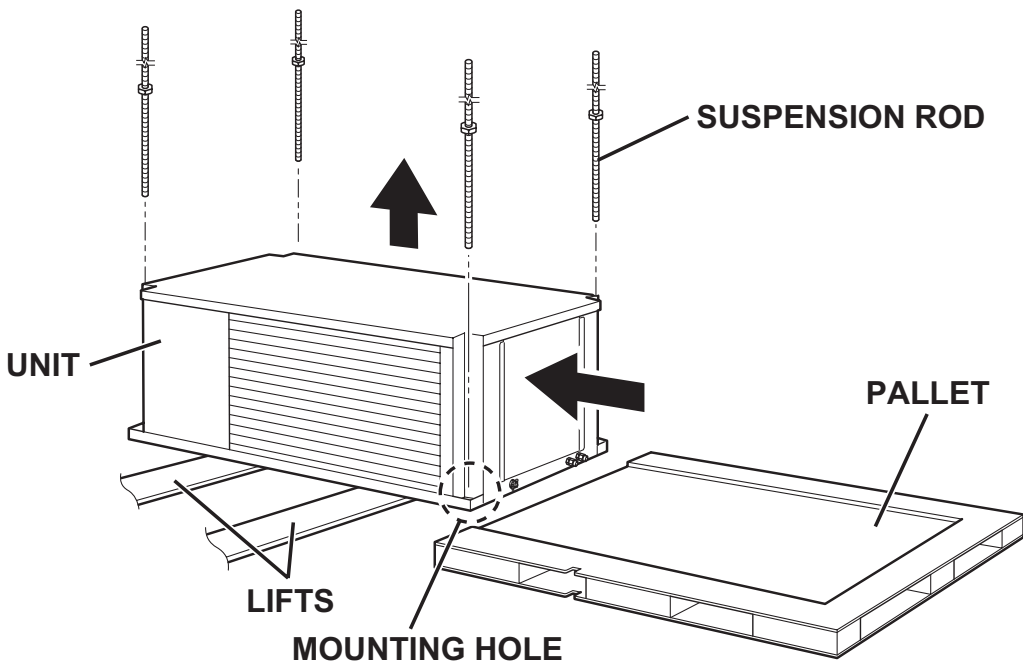
Mounting CM25 to Roof Structure (cont.)

Example of Mounting without Pallet

1. Install four (4) suspension rods by suspending them from suitable building structure members. Locate the rods so that they will align with four mounting holes that are part of the unit base. Make sure to securely anchor the top ends of the suspension rods and tighten all nuts.
2. Insert four (4) nuts (top) to the suspension rods before mounting the unit (12.0 inch minimum height from the bottom end of the suspension rods).



3. Locate the rods so that they will align with four mounting holes. Slide the unit from the pallet onto the lifts. Slowly lift up the unit.

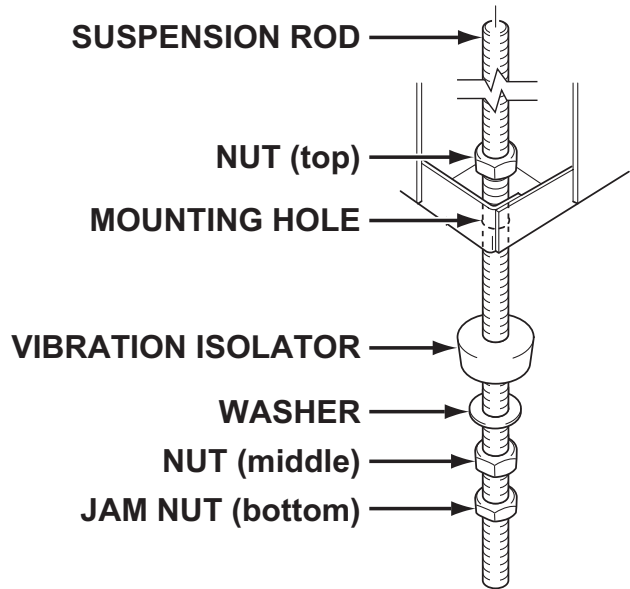


INSTALLATION (cont.)

Mounting CM25 to Roof Structure (cont.)

Example of Mounting without Pallet

4. Insert the suspension rods through the mounting holes of the unit. Then install vibration isolators, washers, nuts (middle) and jam nut (bottom) to be same level for all four mounting positions.



5. Slowly lower the lifts.
6. Make sure the unit is level. **Level must be less than 2° incline.** If the unit is not level, align the nut (middle) to level.



CAUTION: If level is more than 2° incline, condensation water leakage may occur.

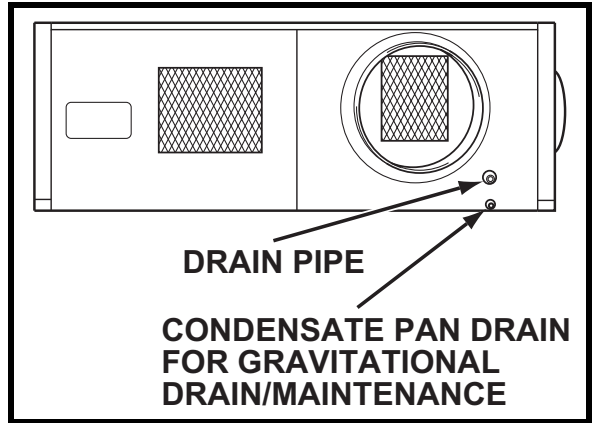
7. Tighten the jam nut (bottom).
Tightening torque for jam nut: Approx. 3.02 ft•lbf (4.1 N•m)
8. Tighten the nut (top) by hand until it is secured against the base frame.

INSTALLATION (cont.)

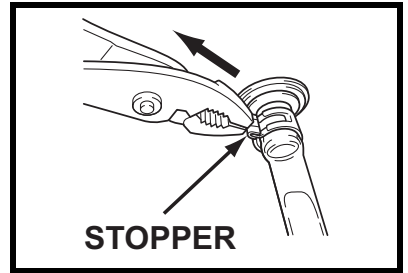
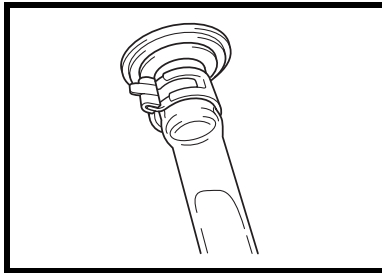
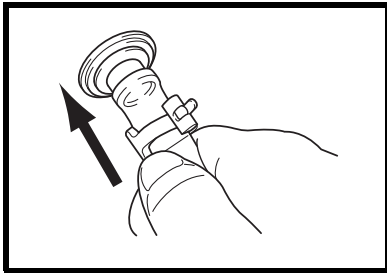
Drain Hose Connection

The CM25 is equipped with an internal condensation removal pump with maximum head lift of 4 feet (1.2 m).

1. Use the provided 1/2 inch (13 mm) male connection on the unit for the evaporator coil condensate drain. The drain line must be located so it will not be exposed to freezing temperatures. The drain should be the full size of the drain connection. (Connect the drain hose to the condensation drain or the janitor closet.)
2. PVC tubing (1/2 inch (13 mm) for ID, 5/8 inch (16 mm) for OD) is required for the drain. Insulate the drain hose. Condensation may occur during humid conditions.



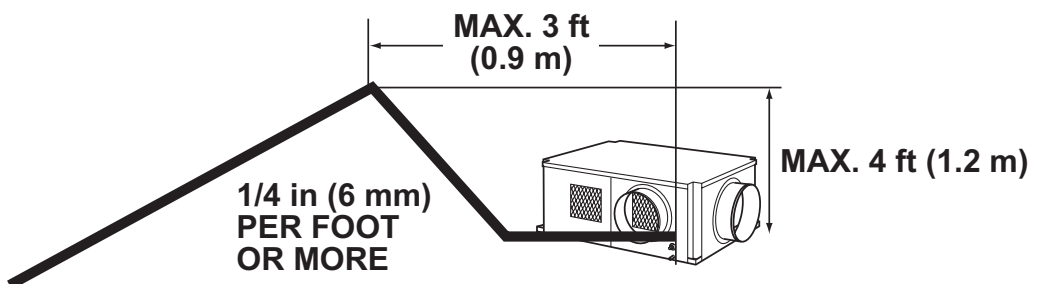
Note: PVC tubing and insulation material are field supplied.



1. Plug in the 1/2 inch (13 mm) drain hose with the supplied clip into the drain pipe. Make sure the hose is all the way in and flush with the grommet.
2. Position the clip to the top of the drain pipe near the unit as shown.
3. Pull out the stopper and secure hose. Make sure there are no kinks or bends. When using the gravity drain, make sure the hose is connected as a decline.

Note: Do not use more than 4 feet (1.2 m) of drain hose vertically. This is maximum lift of the condensation pump.

3. To insure proper drainage, locate the drain hose to the highest vertical position, no more than 4 feet (1.2 m) high, and run the hose to the drain on a downward slope at a minimum rate of 1/4 inch (6 mm) per foot.

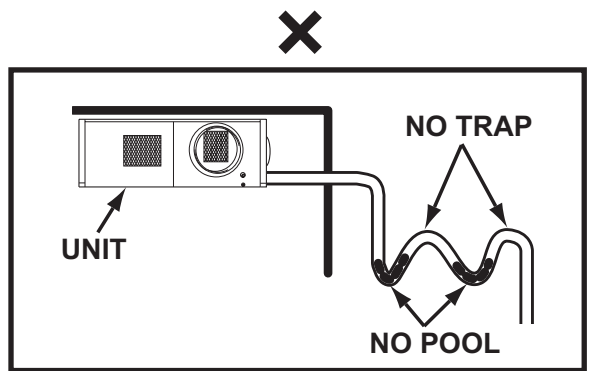
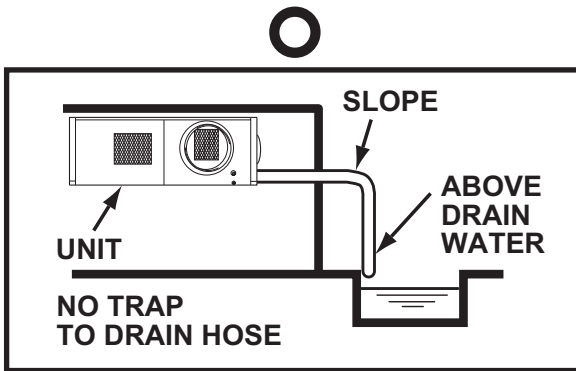


INSTALLATION (cont.)

Drain Hose Connection (cont.)

Check following items:

- No kinks or bends on the drain hose
- No trap in the drain hose
- The end of the drain hose should be higher than the water level at the drain
- No dripping from the drain hose at the clamping area
- When uninstalling the unit, empty the drain pan by draining out the water through the condensate pan drain pipe.

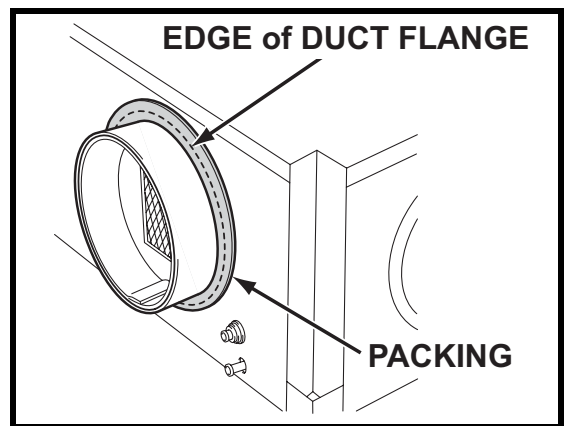


CAUTION: For the gravitational drain, make sure that DIP switch #2 of DSW3 on the relay board is set to the ON position (see “DIP Switch Configuration and Setting” on page 22). The condensate water will drain out from the drain pipe of the condensate pan.

Packing Attachment

Apply the provided packing to the cool air exhaust to prevent condensation in high humidity environments.

Remove the liner on the packing and attach the packing to cover the edge of the duct flange to avoid cool air leaking through the gap.

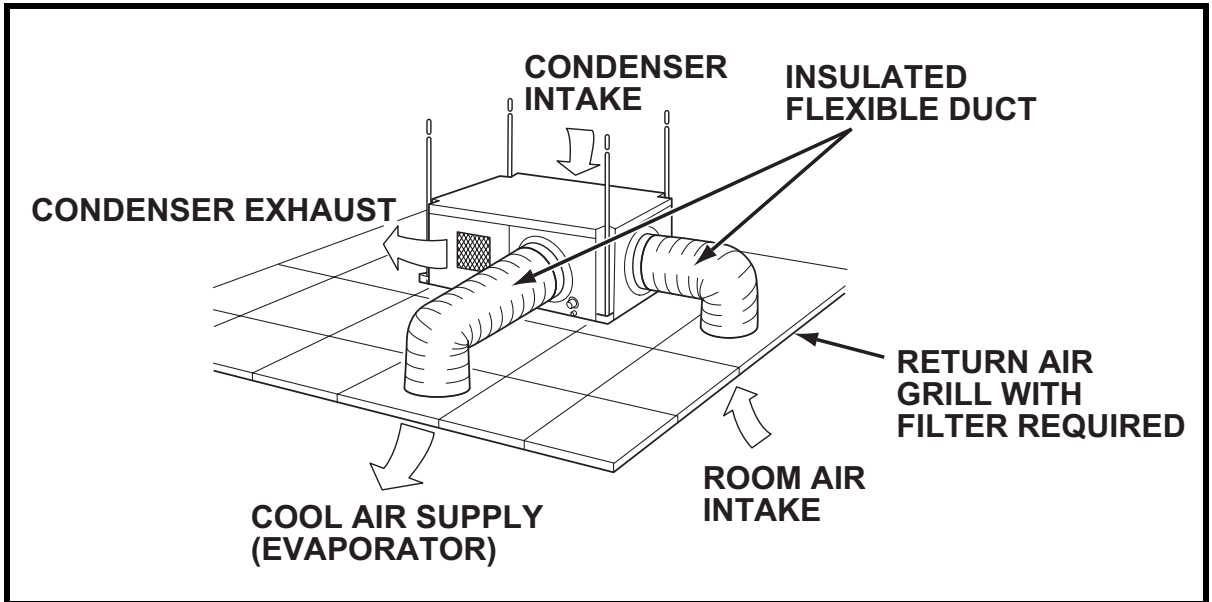


INSTALLATION (cont.)

Ducting With Typical Drop Ceiling

All hardware is field supplied.

CAUTION: Do not operate the unit without the filter installed on the return air grill.



1. Use a 12 inch diameter insulated duct with low friction and air resistance.

The duct should be bent in a large radius. If the bending radius is less than 15.0 inch (381 mm), then use vanes or guides to reduce air resistance.

2. Make sure the ducts are secured in order to absorb vibration from the unit.

Avoid sharp bending on the duct and have air ducts travel in a straight line for improved performance.

Field supplied hardware requires:

- Insulated 12 inch diameter flexible ducts
- Return air grill with 12 inch flange and filter for the room air intake
- Diffuser with 12 inch flange for the cool air outlet

Refer to the maximum static pressure of “Technical Specifications” on page 58.

INSTALLATION (cont.)

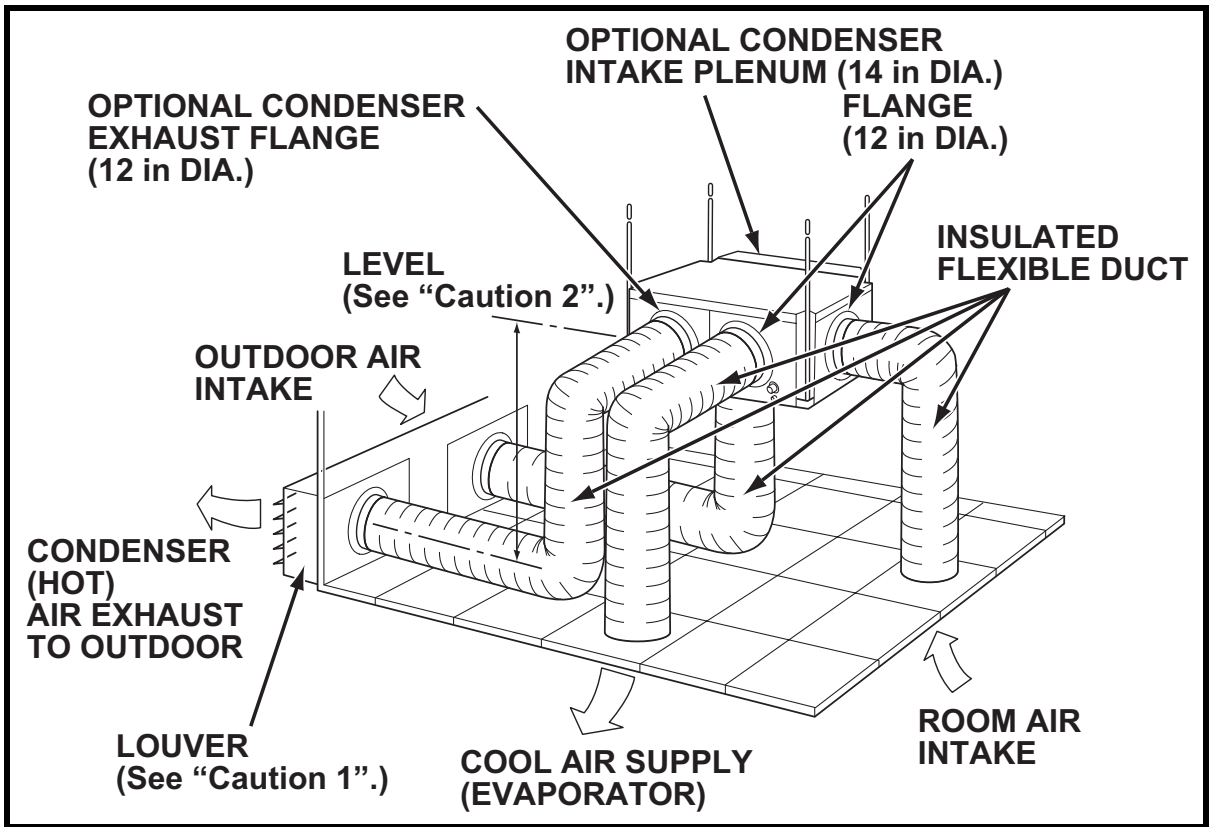
Condenser Duct Installation (Optional)

Condenser intake and exhaust ducts can be installed to exchange outdoor air.



CAUTION:

1. Louver must be installed to avoid infiltration of strong wind or rain from outdoor.
2. Condenser intake and exhaust ducts must be installed at level lower than the unit to avoid water flowing into the unit (cause of water leakage or unit problem).



1. Use a 12 inch diameter insulated duct with low friction and air resistance. The duct should be bent in a large radius. If the bending radius is less than 15.0 inch (381 mm), use vanes or guides to reduce air resistance.
2. Make sure the ducts are secured in order to absorb vibration from the unit. Avoid sharp bending on the duct and have air ducts travel in a straight line for improved performance.

Field supplied hardware requires:

- Insulated 12 inch diameter flexible ducts
- Louver for condenser intake and exhaust

Refer to the condenser external static pressure of "Technical Specifications" on page 58.

INSTALLATION (cont.)

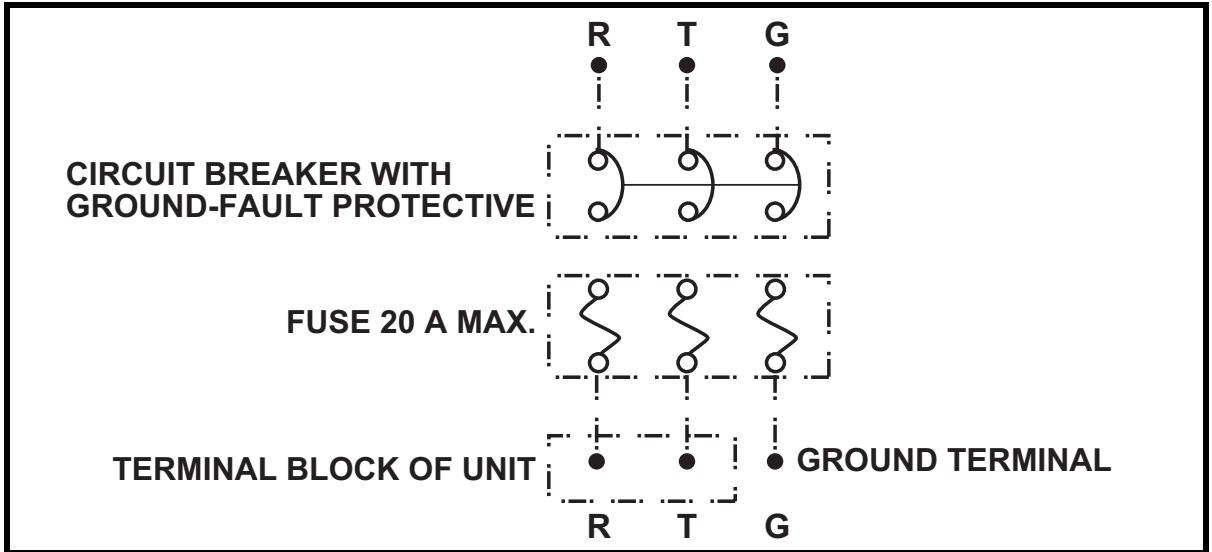
Power Supply and Field Wiring Connection

⚠ WARNING:

1. All electrical work should only be performed by qualified personnel. Repair to electrical components by non-certified technicians may result in personal injury and/or damage to the unit.
2. Disconnect power before any electrical installation.

Power Supply

- The unit requires a single-phase, 208/230 V, 60 Hz power supply to operate.
- The power supply should be a dedicated single outlet circuit with a UL approved short-circuit and ground fault protective breaker with a fuse size of 20 A maximum.
- Securely tighten each terminal.



⚠ CAUTION: Use a specified 20 A fuse. Do not use wiring, copper wire or soldering instead of the fuse. The use of non-specified fuses can cause machine failure or fire.

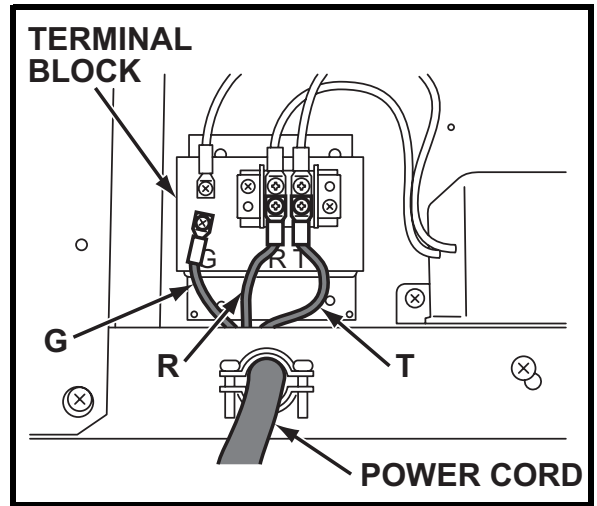
INSTALLATION (cont.)

Power Supply and Field Wiring Connection (cont.)

Field Wiring Connection

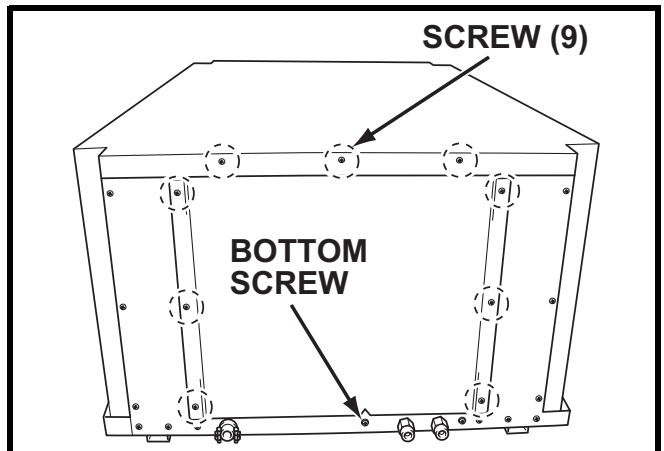
The following are recommended wire sizes and electrical ratings:

- Cord Type: SJT (3 wires) or equivalent
- Wire Gauge: 12 AWG
- Voltage Rating: 300 V minimum
- Heat Resistance: 221 °F (105 °C)

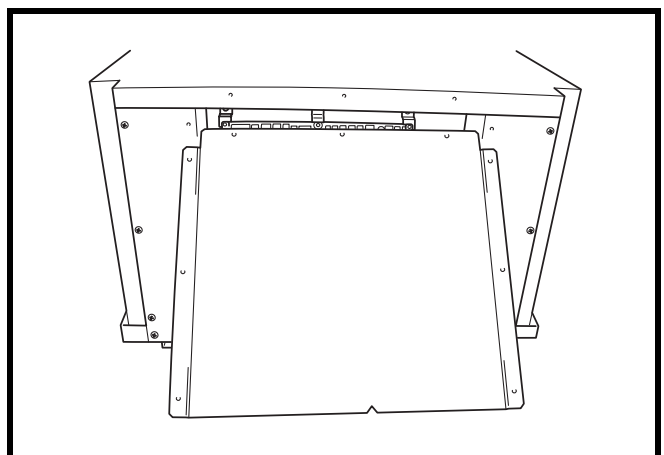


1. Loosen the bottom screw (1).
2. Remove nine (9) screws from the service panel on left side of the unit.

Tightening torque for screw:
Approx. 1.10 ft•lbf (1.5 N•m)



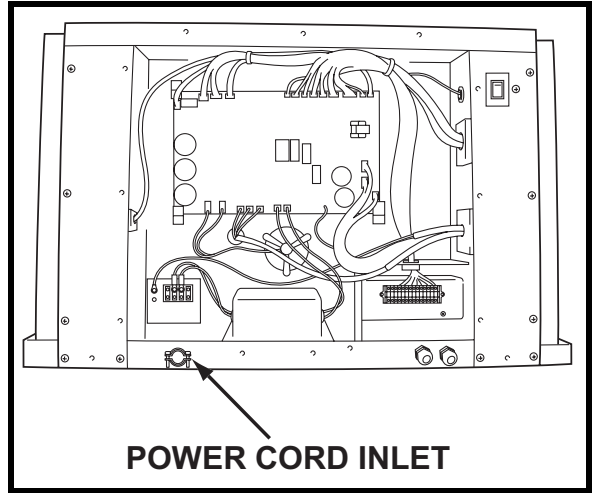
3. Remove the service panel.



INSTALLATION (cont.)

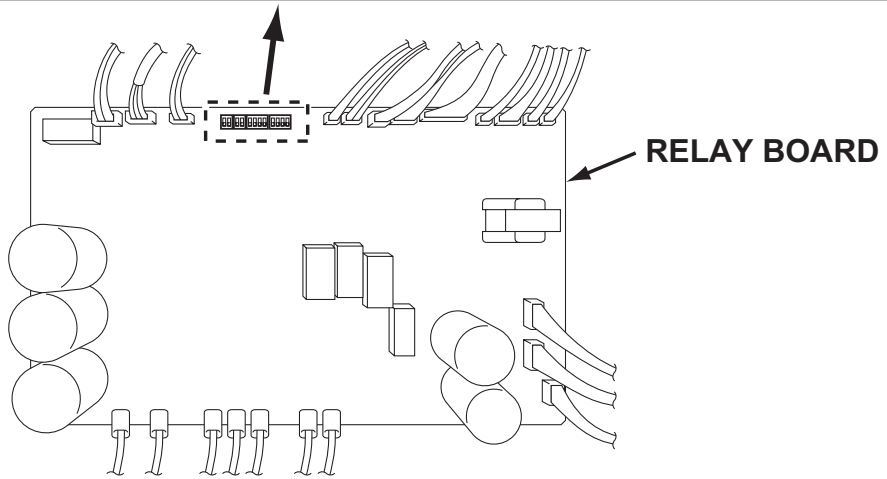
Power Supply and Field Wiring Connection (cont.)

- 4. Route power cord wires through the power cord inlet located below service panel.
- 5. Connect the line wire (“R” and “T”) to the terminal block. Tighten screw at about 0.96 ft•lbf (1.3 N•m) torque.
- 6. Connect the ground wire (“G”) to the terminal block. Tighten screw at about 0.96 ft•lbf (1.3 N•m) torque.



DIP Switch Configuration and Setting

The controller of the unit is equipped with DIP switches, which default in the OFF position. The DIP switch can be set to configure the following functions.



INSTALLATION (cont.)

DIP Switch Configuration and Setting (cont.)

Switch Name	Switch Number	Function	
DSW1	1	ON	Enables the millivolt wall thermostat.
		OFF	Enables the wall mounted controller.
	2	ON	No function.
		OFF	
DSW2	1	ON	Initializes setting of the condenser and evaporator fan motors after replacing the fan motors.
		OFF	Set to OFF when the motor replacement is completed.
	2	ON	No function.
		OFF	
DSW3	1	ON	Enters the test mode.
		OFF	Exits the test mode.
	2	ON	Disables the internal condensation removal pump.
		OFF	Enables the internal condensation removal pump.
	3	ON	No function.
		OFF	
	4	ON	No function.
		OFF	
DSW4	1	ON	No function.
		OFF	
	2	ON	
		OFF	
	3	ON	
		OFF	
	4	ON	
		OFF	

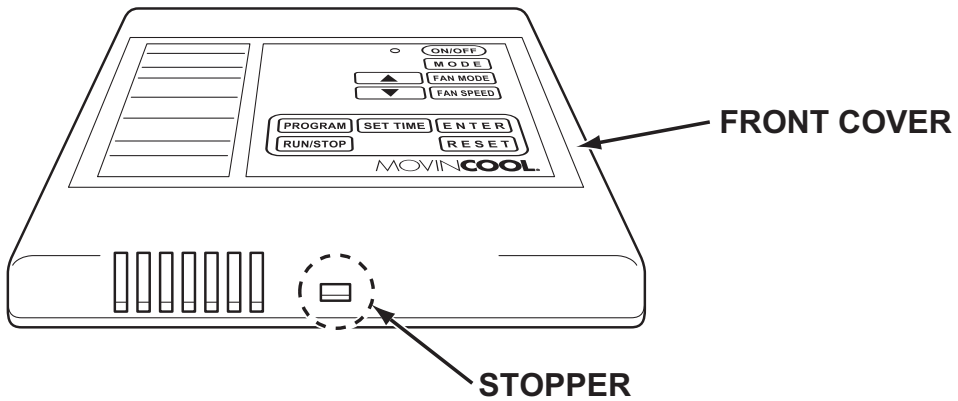
INSTALLATION (cont.)

Supplied Wall Mounted Controller Connection

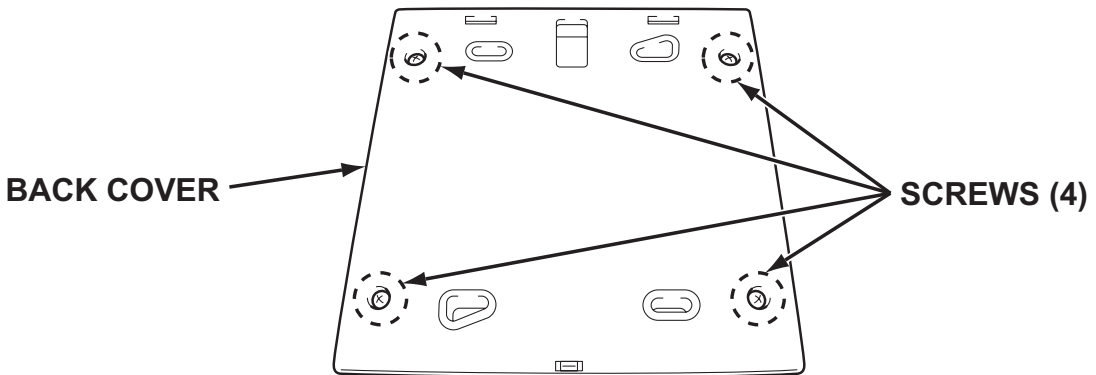
Set up the wall mounted controller without power connection on the unit. Otherwise, the wall mounted controller set up will not be completed.

WARNING:

1. All electrical work should only be performed by qualified personnel. Repair to electrical components by non-certified technicians may result in personal injury and/or damage to the unit.
 2. Disconnect power before any electrical installation.
1. Push the stopper located at the bottom of the controller. Then remove the front cover.



2. Remove four (4) screws from the back cover.



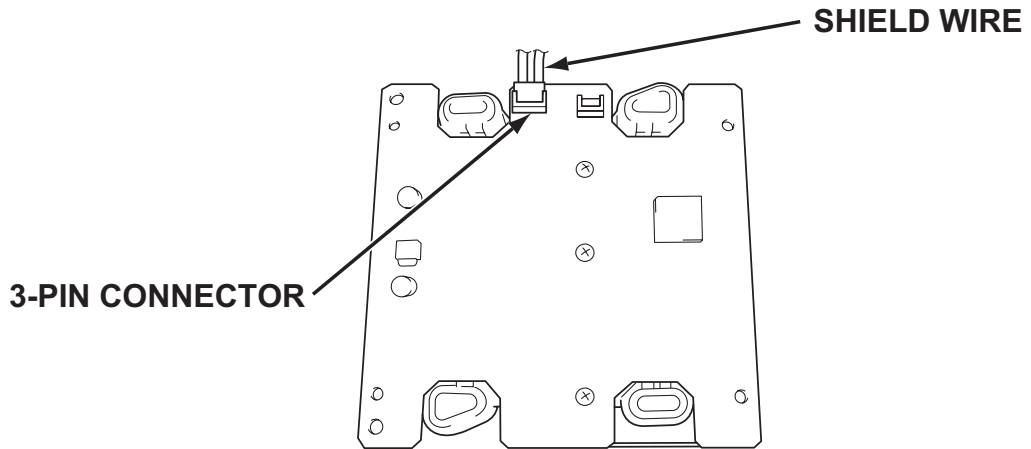
INSTALLATION (cont.)

Supplied Wall Mounted Controller Connection (cont.)

3. Connect the supplied shield wire (12 feet) to the 3-pin connector on the controller board.



CAUTION: Do not touch the soldering surface of the controller board to avoid static electricity.



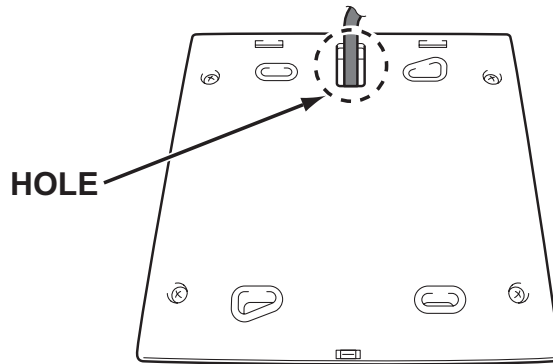
INSTALLATION (cont.)

Supplied Wall Mounted Controller Connection (cont.)

4. Depending on installation conditions, there are two methods to insert the shield wire through the back cover of the controller.

Method A)

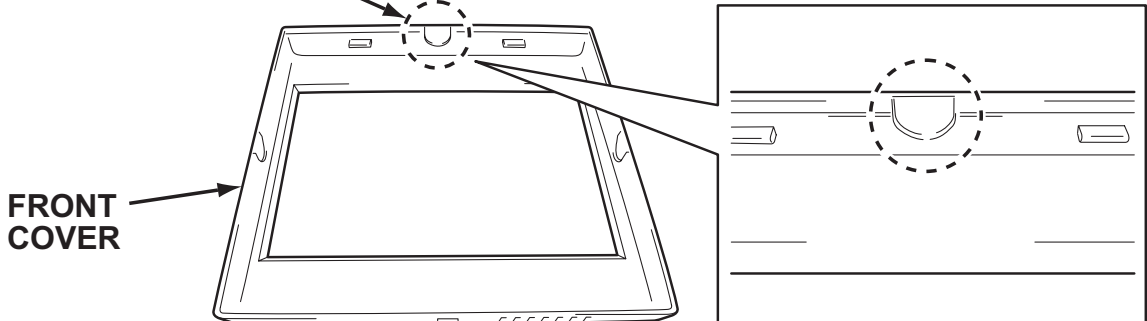
Insert the shield wire through the hole of the back cover.



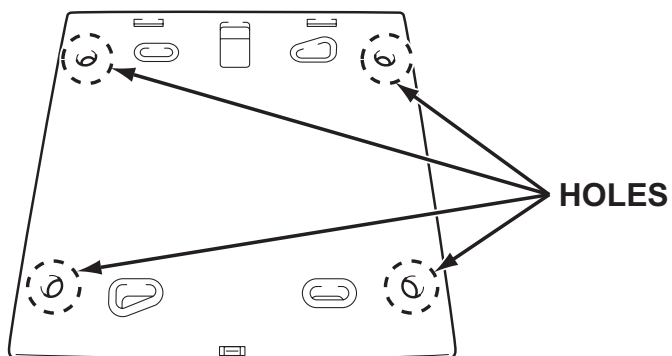
Method B)

Break the dent portion of the front cover by tool (pliers, etc.). Remove the dent portion and insert the shield wire through the hole.

DENT PORTION



5. Reassemble the controller board to the back cover with four (4) screws.



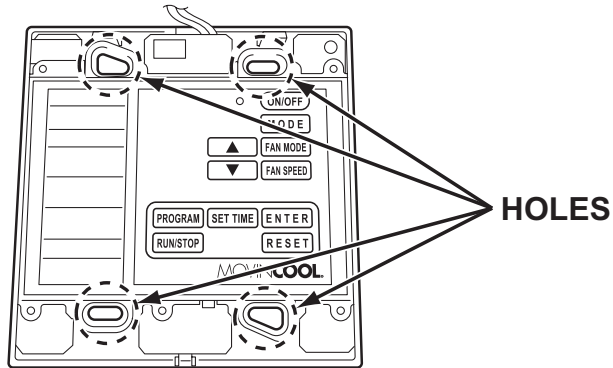
INSTALLATION (cont.)

Supplied Wall Mounted Controller Connection (cont.)

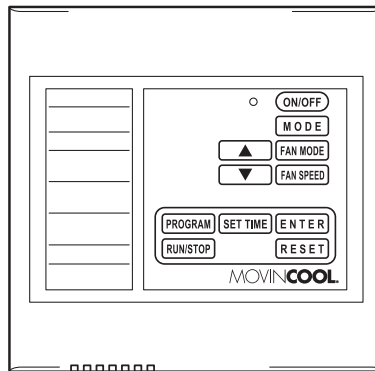
6. Select the proper location where the controller can be conveniently accessed. Install the controller assembled in step 5. to the wall with supplied four (4) screws through the holes.



CAUTION: Do not install the controller where unusual heating condition may occur (i.e. hot stove, hot pipe, fireplace or under direct sunlight).



7. Reassemble the front cover.



8. Strip the end of the shield wire of the wall mounted controller.

INSTALLATION (cont.)

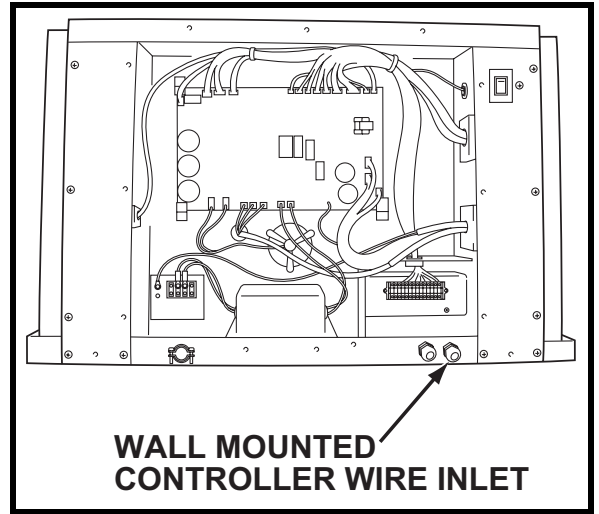
Supplied Wall Mounted Controller Connection (cont.)

9. Disconnect power before connecting the wall mounted controller to the unit.
10. Insert the shield wire through the wall mounted controller wire inlet. Connect the shield wire to the terminal block referring to the connection table shown below.

Note: If wiring needs to be extended, a maximum extension wire can be extended up to 316 feet.

Shield wire 16-22 AWG is recommended to use as an extension wire to reduce noise interference.

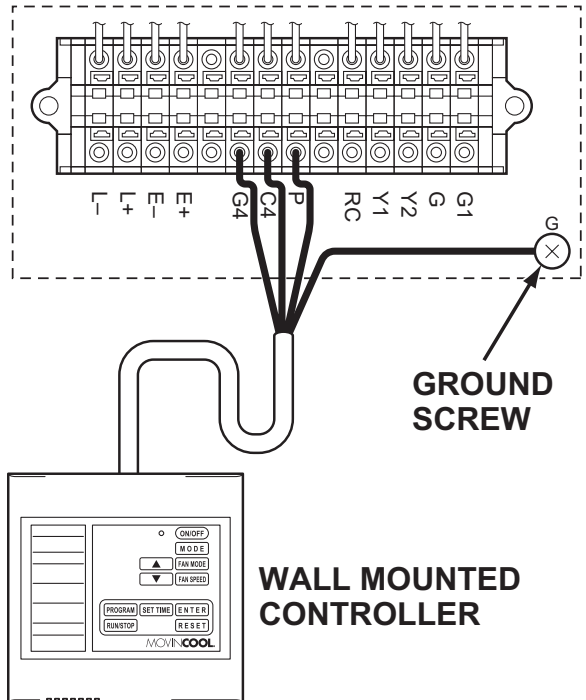
Recommended extension code: Shield wire 16-22 AWG, Length 316 feet maximum



CONNECTION TABLE

Wall Mounted Controller Wire No. (Color)	Unit Terminal No.
P (Red)	P
C4 (White)	C4
G4 (Black)	G4
Shield Conductor (Green)	G (Ground Screw)

UNIT TERMINAL



Note: Do not connect the controller to AC or DC power source.

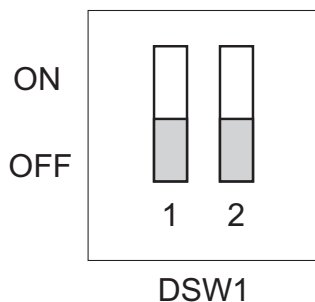
INSTALLATION (cont.)

Supplied Wall Mounted Controller Connection (cont.)

11. DIP switch #1 of DSW1 on the relay board must be in the OFF position to use the wall mounted controller.

Note:

- 1. Default position of all DIP switches are the OFF position.*
- 2. If #1 switch of DSW1 is in the ON position, the millivolt wall thermostat is enabled.*



Field-Supplied Millivolt Wall Thermostat Connection

Set up the millivolt wall thermostat without power connection on the unit. Otherwise, the wall thermostat set up will not be completed.



WARNING:

- 1. All electrical work should only be performed by qualified personnel. Repair to electrical components by non-certified technicians may result in personal injury and/or damage to the unit.**
 - 2. Disconnect power before any electrical installation.**
1. Use with a single or multi stage system wall thermostat.
Thermostat type: Millivolt system
 2. Set the wall thermostat to cooling system mode, since most wall thermostats are designed for both heating and cooling.
 3. Select the proper location where the wall thermostat can be conveniently accessed. Install the wall thermostat to the wall at the selected location.



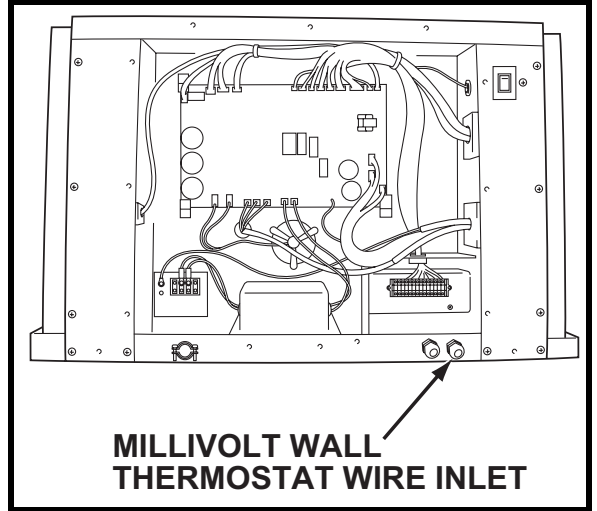
CAUTION: Do not install the wall thermostat where unusual heating condition may occur (i.e. hot stove, hot pipe, and fireplace or under direct sunlight).

Most thermostats provide these basic functions:
Fan Mode: On/Auto (Select the desired fan mode)
System: Cool/Heater (Select Cool only)

INSTALLATION (cont.)

Field-Supplied Millivolt Wall Thermostat Connection (cont.)

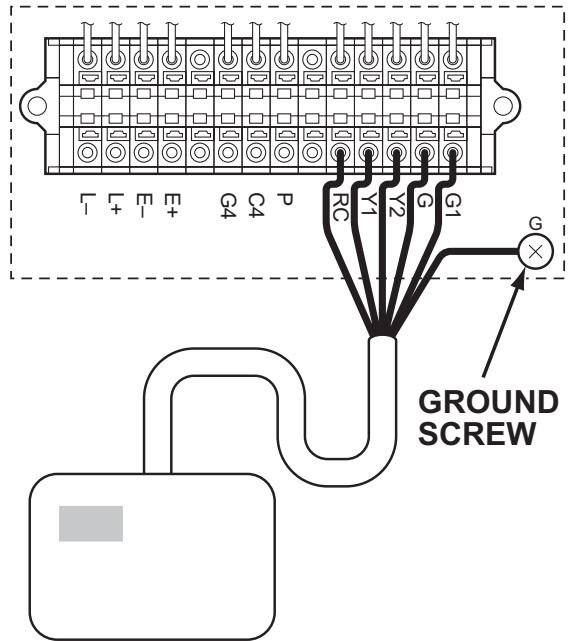
4. Disconnect power before connecting the wall thermostat to the unit.
5. Connect the wall thermostat to the terminal block referring to the connection table shown below. Recommended extension wire: Solid wire 16-26 AWG



CONNECTION TABLE

Wall Thermostat Terminal No.		Unit Terminal No.	Function
Single-Stage System	Multi-Stage System		
RC	R	RC	Common
/	Y1	Y1	Cool MIN
	Y	Y2	Cool MAX
G	G	G	Fan Hi
(G1)	(G1)	(G1)	(Fan Lo)
(Shield Wire)		G (Ground Screw)	Ground

UNIT TERMINAL



WALL THERMOSTAT
(Example of the multi stage system)

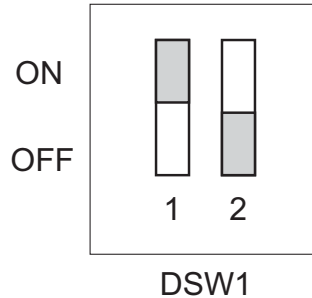
Note:

1. Terminal No. G1 is used only with the wall thermostat that has Fan Hi-Lo speed control.
2. Use the wall thermostat that is compatible with the millivolt system. Do not connect the wall thermostat to AC or DC power source.

INSTALLATION (cont.)

Field-Supplied Millivolt Wall Thermostat Connection (cont.)

- DIP switch #1 of DSW1 on the relay board must be in the ON position to use the millivolt wall thermostat.



Note:

- Default position of all DIP switches are the OFF position.*
- If #1 switch of DSW1 is in the OFF position, the wall mounted controller is enabled.*

INSTALLATION (cont.)

Warning Signal Connection (Output Signal)

The unit is equipped with a warning signal output relay type (Form-C, normal open dry contact), which can be used to monitor the failure condition.

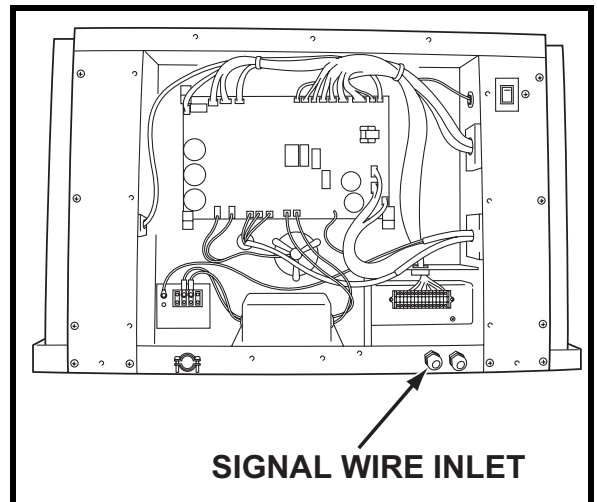
Relay contactor is closed when the following condition has occurred:

- Condensation overflows
- Temperature sensor fails
- Cooling function fails

The relay output contactor is rated 5 A at 30 VDC or 5 A at 250 VAC (resistive load), and it is compatible with various warning devices such as alarm speakers, light indicators, etc.

Connecting Warning Signal to CM25

1. Use recommended warning signal wire size from 16 AWG to 26 AWG for a solid wire, or 16 AWG to 22 AWG for a stranded wire.
2. Disconnect power before connecting the warning signal wire to the unit.

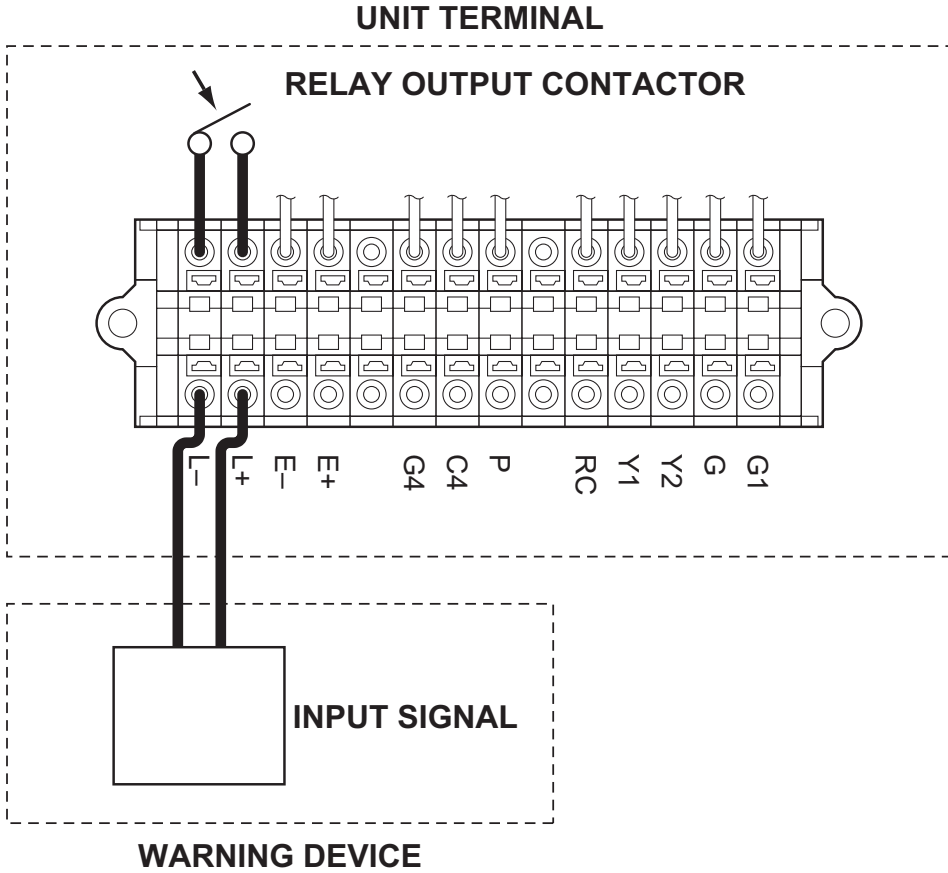


3. Insert the warning signal wire through the signal wire inlet.

INSTALLATION (cont.)

Warning Signal Connection (Output Signal) (cont.)

4. Connect the warning signal wires to terminal L+ and L- in the unit control box according to the labels shown below.



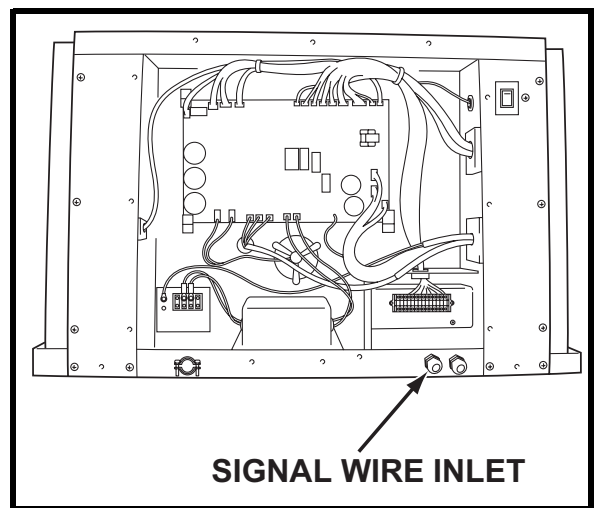
INSTALLATION (cont.)

Fire Alarm Connection (Input Signal)

The unit is equipped with a normal open input signal connection, which can be connected directly from the fire alarm control panel. When receiving the signal from the fire alarm control panel, the unit turns off and does not turn back on until power source is reset or turns the wall mounted controller or wall thermostat off and on.

Connecting Fire Alarm Signal to CM25

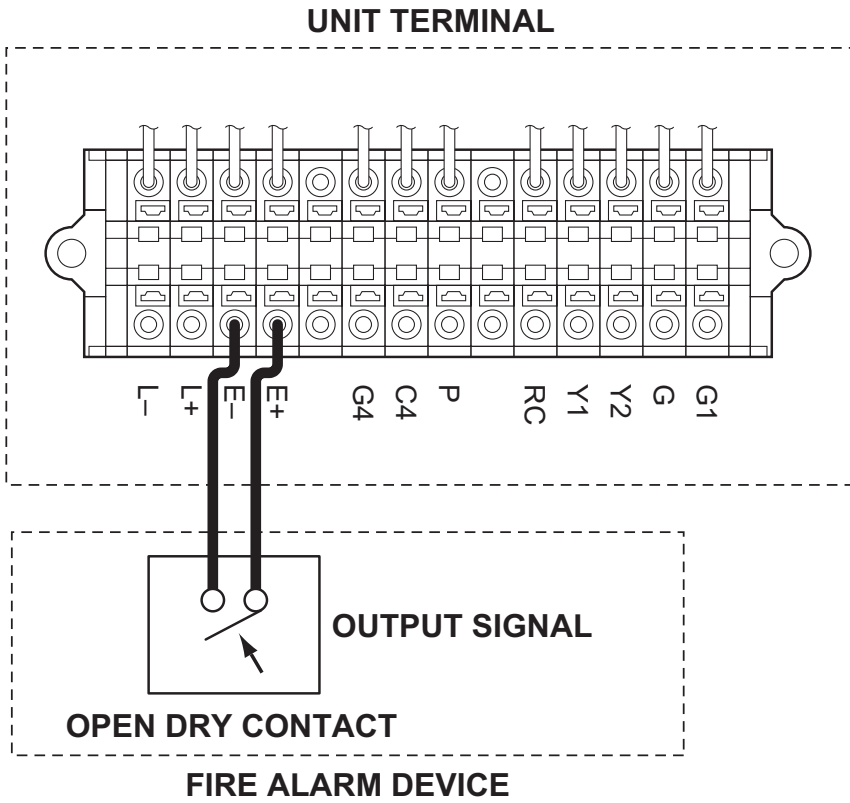
1. Use recommended fire alarm signal wire size from 16 AWG to 26 AWG for a solid wire, or 16 AWG to 22 AWG for a stranded wire.
2. Disconnect power before connecting the fire alarm signal wire to the unit.
3. Insert the fire alarm signal wire through the signal wire inlet.



INSTALLATION (cont.)

Fire Alarm Connection (Input Signal) (cont.)

4. Connect the fire alarm signal wires to terminal E+ and E- in the unit control box according to labels shown below.



FEATURES OF WALL MOUNTED CONTROLLER

1. Supplied wall mounted controller allows the user to easily control the unit's operation.
2. LCD display that indicates:
 - a. Clock with day and time
 - b. Room temperature and set point temperature (either Fahrenheit or Celsius)
 - c. Operation mode status
 - d. Fan mode status
 - e. Fan speed status
 - f. Set program status
 - g. Program run and stop
 - h. Self-diagnostic codes
 - i. Keypad lock
3. Programmable clock/timer function. This function allows the user to program a specific time and day at which the unit begins to operate/start and turn off (automatic operation).

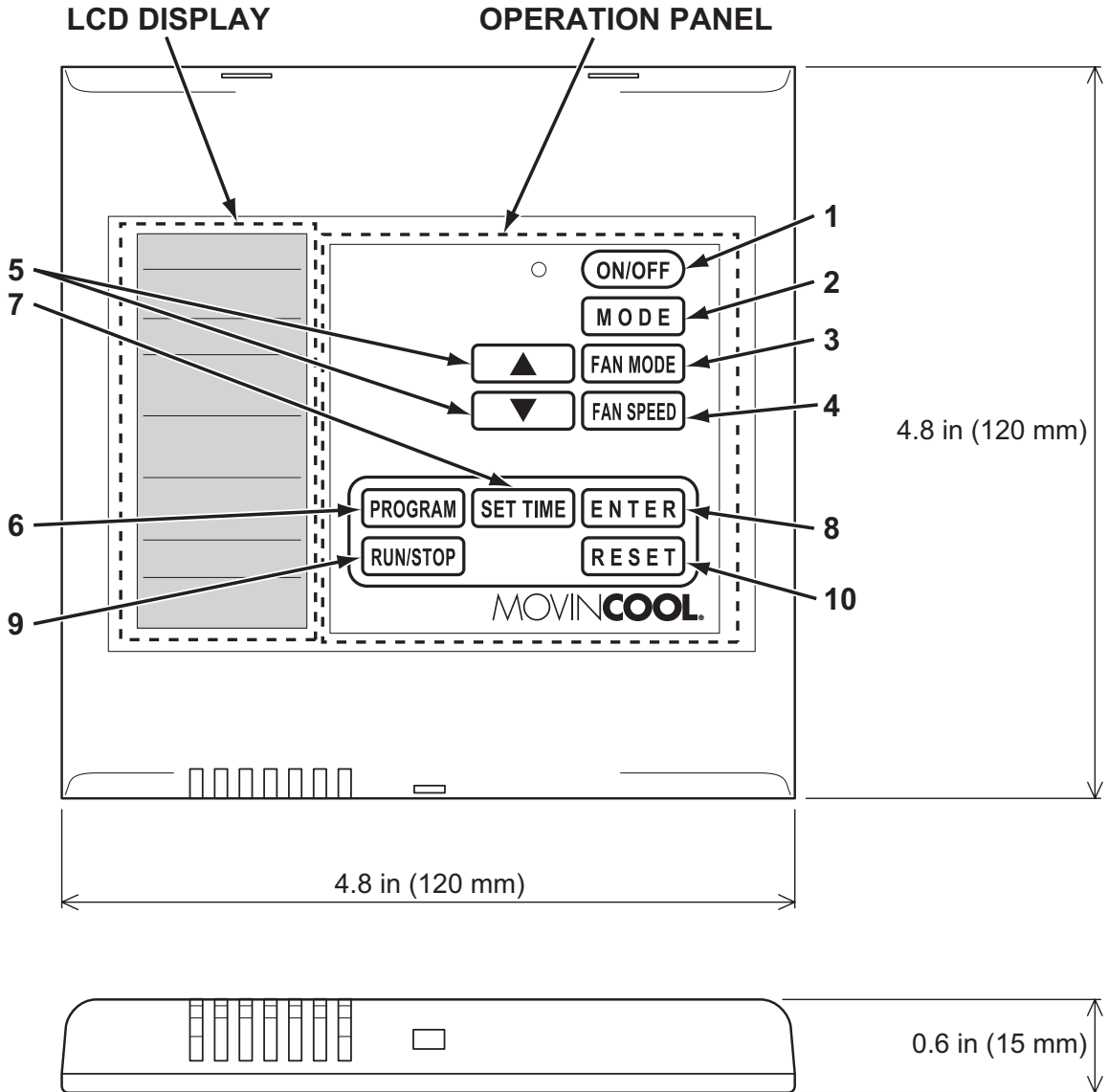
FEATURES OF CM25

1. The CM25 is equipped with a variable speed compressor, which is driven by state of the art inverter technology. A variable speed compressor automatically adjusts its speed as the heat load in the room changes. With its soft start up, a variable speed compressor reduces start up wear on the compressor and eliminates in-rush current resulting in no dip in the power supply.
2. Fire alarm control panel connection with automatic shut off.
3. Automatic shut off by warning signal output and alarm for temperature sensor failure, and conditions of self-diagnostic codes.
4. Automatic restart feature when the power is lost and regained.
The unit returns to the operating mode it was in prior to the loss of power.
Any preset program is retained in the memory in the event power loss occurs.

OPERATION (Wall Mounted Controller ONLY)

Controller Panel

Before operating the unit, it is important to familiarize yourself with the basic controls located on the control panel.



OPERATION

(Wall Mounted Controller ONLY) (cont.)

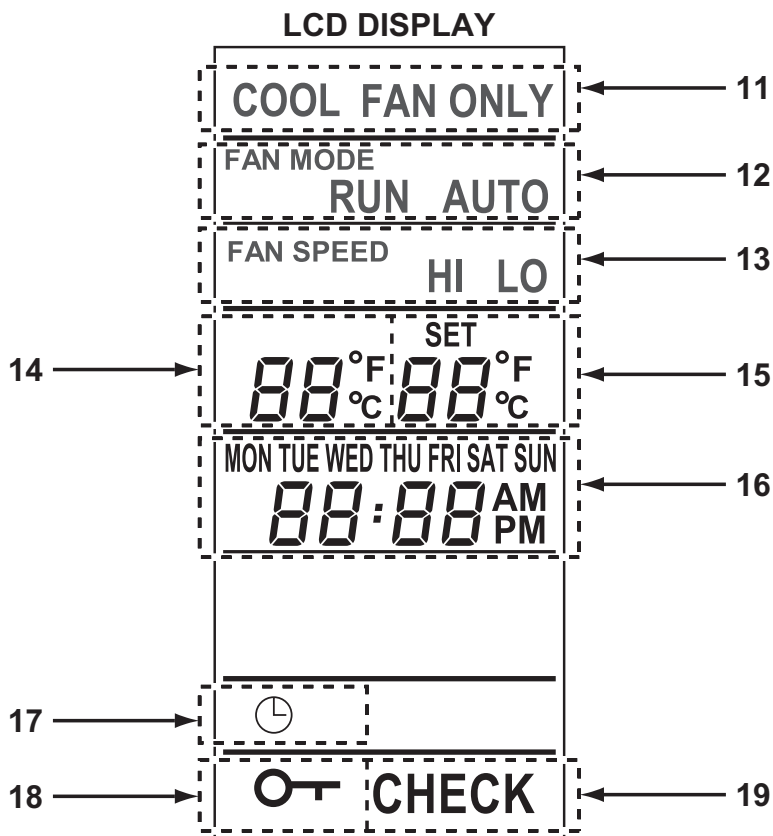
Controller Panel (cont.)

1. **ON/OFF Button** Activates (LED illuminates green) or deactivates unit operation.
2. **MODE Button** Activates COOL or FAN ONLY operation.
3. **FAN MODE Button** Activates fan mode RUN or AUTO.
RUN: Fan operates continuously during COOL mode even after the room temperature reaches the set point temperature. RUN mode is automatically selected when FAN ONLY mode is selected.
AUTO: Fan automatically stops during COOL mode after the room temperature reaches the set point temperature. Fan automatically operates when the room temperature is above the set point temperature.
4. **FAN SPEED Button** Activates fan speed High or Low.
5. **UP (△) & DOWN (▽) Buttons** Increases or decreases the temperature set point during COOL mode.
Selects each item when setting clock or program.
6. **PROGRAM Button** Sets or displays program.
7. **SET TIME Button** Sets clock (day and time).
8. **ENTER Button** Accepts selection and goes to the next step.
9. **RUN/STOP Button** Activates or deactivates program(s).
10. **RESET Button**
 - Clears self-diagnostic codes.
 - Returns to “Day of the week” for “ON” (start) program setting during program editing mode.
 - Clears all program memory during program editing mode by pressing and holding the RESET button for 3 seconds.

OPERATION

(Wall Mounted Controller ONLY) (cont.)

Controller Panel (cont.)



- | | |
|-------------------------------------|--|
| 11. COOL or FAN ONLY | Illuminates to indicate COOL on or FAN ONLY on. |
| 12. RUN or AUTO | Illuminates to indicate fan mode set to RUN or AUTO. |
| 13. HI or LO | Illuminates to indicate fan speed set to High or Low. |
| 14. Room temperature | Illuminates temperature in either Fahrenheit (°F) or Celsius (°C) (see Note). |
| 15. Set temperature | Illuminates temperature in either Fahrenheit (°F) or Celsius (°C) in COOL mode (see Note). |
| 16. Day of the week and time | Illuminates to indicate day of the week and time. |
| 17. Clock symbol | Illuminates to indicate program is running. |
| 18. Key symbol | Illuminates to indicate keypad locked. |
| 19. CHECK | Illuminates with self-diagnostic codes. |

NOTE: The room temperature display range is from 16 °F (-9 °C) to 140 °F (60 °C). When the display value is greater than 99 °F, it displays values of 00F (for 100 °F), 01F (for 101 °F) and 09F (for 109 °F).

OPERATION

(Wall Mounted Controller ONLY) (cont.)

Standby Mode

When power source is supplied to the unit, the wall mounted controller is in standby mode.

During standby mode, the controller panel displays time.

Set Clock

Prior to operating the unit, set the clock of the controller to the correct time as shown in the steps below.

1. Press and hold the SET TIME button for 3 seconds “Day of the week” blinks.
2. Press UP (Δ) or DOWN (∇) button to select “Day of the week”.
3. Press ENTER button. “Hour” blinks.
4. Press UP (Δ) or DOWN (∇) button to select correct hour.

Note: AM or PM changes with hour automatically.

5. Press ENTER button. “Minutes” blinks.
6. Press UP (Δ) or DOWN (∇) button to select correct minute.
7. Press ENTER button to complete clock setting.

Note:

1. *Check clock periodically to confirm clock accuracy.*
2. *The clock defaults after 20 days from the point of shutting power supply. In this case, set the clock again.*

OPERATION

(Wall Mounted Controller ONLY) (cont.)

Operate in COOL Mode

When in COOL mode, the compressor is operated and cool air is circulated.

1. Press ON/OFF button. LED (green) illuminates.
2. Press MODE button and select "COOL".
3. Press FAN MODE button to select "RUN" or "AUTO".
RUN: Fan operates continuously during COOL mode even after the room temperature reaches the set point temperature.
RUN mode is automatically selected when FAN ONLY mode is selected.
AUTO: Fan automatically stops during COOL mode after the room temperature reaches the set point temperature. Fan automatically operates when the room temperature is above the set point temperature.
4. Press FAN SPEED button to select the fan speed "HI" or "LO".
5. Press UP (Δ) or DOWN (∇) button to select the temperature set point.
6. To stop COOL operation, press ON/OFF button.

Note: Compressor continuously operates for minimum 2 minutes to protect the refrigerant system once started. During this condition, "COOL" blinks.

OPERATION

(Wall Mounted Controller ONLY) (cont.)

Operate in FAN ONLY Mode

When in FAN ONLY mode, the unit circulates the surrounding air.

1. Press ON/OFF button. LED (green) illuminates.
2. Press MODE button and select “FAN ONLY”.

Note: Fan mode “RUN” is automatically set (no selection of “AUTO”) when FAN ONLY is selected.

3. Press FAN SPEED button to select the fan speed “HI” or “LO”.

Change Mode

While in COOL mode, press MODE button to select FAN ONLY mode.

When in FAN ONLY mode, press MODE button to select COOL mode.

Change Temperature Scale

The temperature scale can be changed.

Press and hold UP (Δ) and DOWN (∇) buttons simultaneously for 3 seconds to change “°C” (Celsius) or “°F” (Fahrenheit).

Keypad Lock

Keypad lock disables all buttons on the controller panel except keypad lock and unlock operations.

1. To lock, press and hold ENTER and RESET buttons simultaneously for 3 seconds.
2. To unlock, press and hold ENTER and RESET buttons simultaneously for 3 seconds again.

Note: When the unit detects operation failure, keypad is unlocked automatically and self-diagnostic code illuminates.

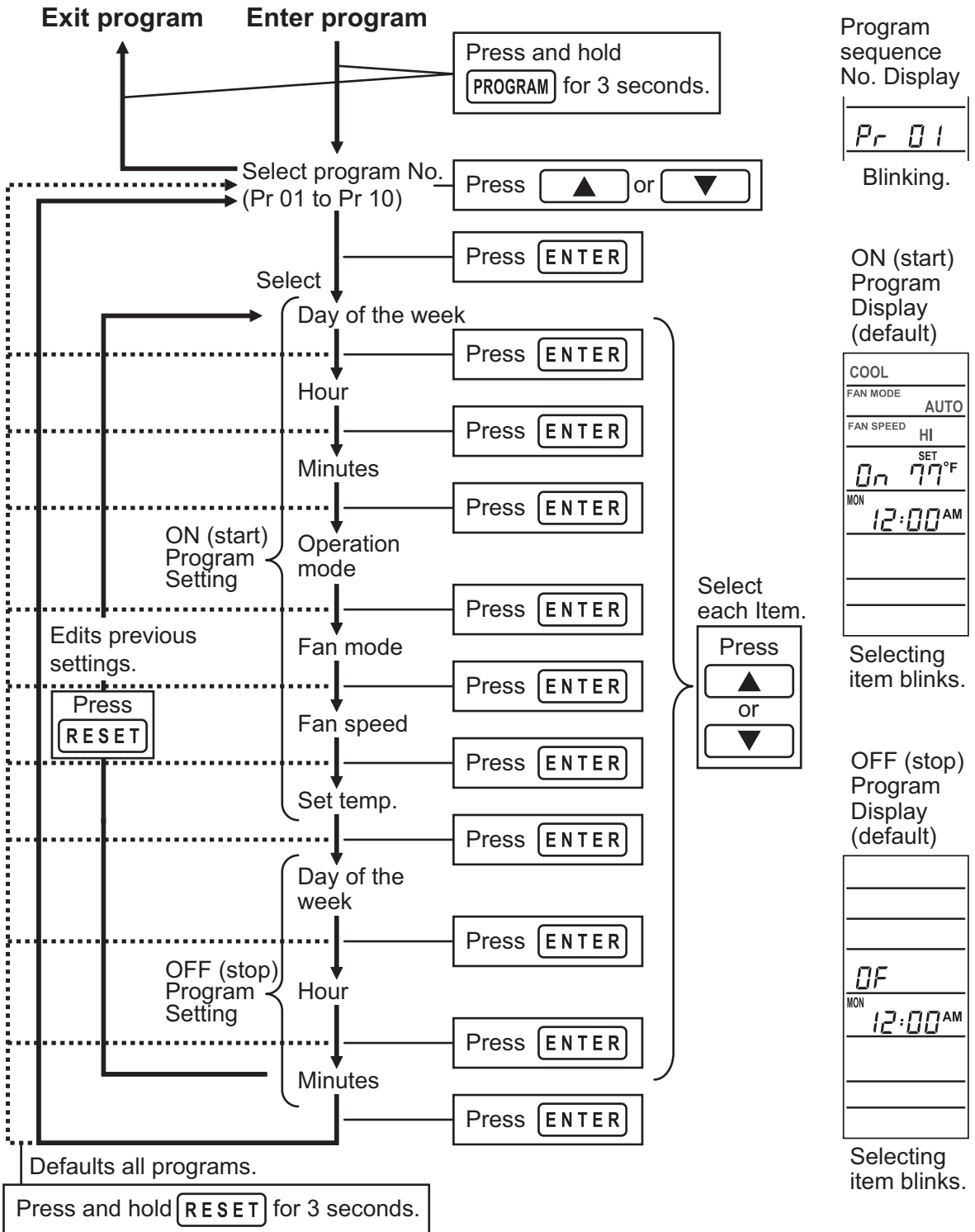
Program Feature

- Ten program sequences are available (“Pr 01” to “Pr 10”).
- Each program sequence contains, set “ON” (start) time, operation mode, and “OFF” (stop) time.
- Each program is confirmed when “ON” (start) time and “OFF” (stop) time are set.
- Exits program mode if any button is not pressed for 1 minute while programming.
- Program runs sequentially from “Pr 01” to “Pr 10” sequence.
- The preceding program is copied to the next program automatically.
- During program RUN mode, all keypad is locked except RUN/STOP button. To exit program RUN mode, press and hold RUN/STOP button for 3 seconds.

OPERATION (Wall Mounted Controller ONLY) (cont.)

Program Setting

To program the controller, read the instructions on page 45 to 47 and follow the flow chart shown below.



OPERATION

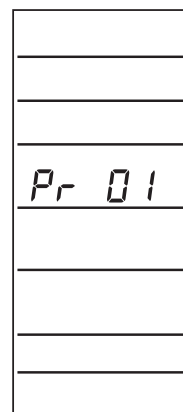
(Wall Mounted Controller ONLY) (cont.)

Select Program Sequence Number

1. Press and hold PROGRAM button for 3 seconds. “Pr 01” blinks.

Note: If any button is not pressed for 3 seconds, program moves to the next step (selecting “Day of the week”) automatically.

2. Press UP (▲) or DOWN (▼) button to scroll program sequences.
3. Press ENTER button to select the program sequence number.



Set Start Time and Operation Mode

4. “On” (program setting for unit ON) illuminates and “Day of the week” blinks.

Press UP (▲) or DOWN (▼) button to select “Day of the week”.

Press ENTER button. “Hour” blinks.

5. Press UP (▲) or DOWN (▼) button to select “hour”. Press ENTER button. “Minutes” blinks.

Note: AM or PM changes with hour automatically.

6. Press UP (▲) or DOWN (▼) button to select “minutes”. Press ENTER button. “COOL” blinks.

7. Press UP (▲) or DOWN (▼) button to select mode “COOL” or “FAN ONLY”. Press ENTER button. “RUN” blinks.

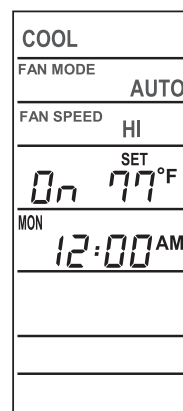
Note: Fan mode “RUN” is automatically set (no selection of “AUTO”) when FAN ONLY is selected.

8. Press UP (▲) or DOWN (▼) button to select fan mode “RUN” or “AUTO”. Press ENTER button. “HI” blinks.

9. Press UP (▲) or DOWN (▼) button to select fan speed “HI” or “LO”. Press ENTER button. “Set temperature” blinks.

10. Press UP (▲) or DOWN (▼) button to select “Set temperature”. Press ENTER button. “OF” (program setting for unit OFF) illuminates and “Day of the week” blinks.

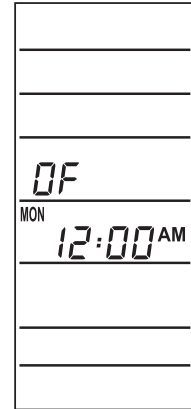
Note: To change the previous settings, press RESET button and start again from “Day of the week” setting.



OPERATION (Wall Mounted Controller ONLY) (cont.)

Set Stop Time

11. Press UP (Δ) or DOWN (∇) button to select “Day of the week”.
Press ENTER button. “Hour” blinks.
12. Press UP (Δ) or DOWN (∇) button to select “hour”.
Press ENTER button. “Minutes” blinks.
Note: AM or PM changes with hour automatically.
13. Press UP (Δ) or DOWN (∇) button to select “minutes”. Press ENTER button. “Pr 02” illuminates.
Note: To change the previous settings, press RESET button and start again from “Day of the week” setting.



Repeat step 1. to 13. to set up program sequences from “Pr 02” to “Pr 10”.

Note: Program counts period from the start time and day of “Pr 01” to the stop time and day of the last program. Program period can not be overlapped. Overlapped time period input can not be accepted by the controller.

Exit Program Mode

14. Press PROGRAM button for 3 seconds to exit program mode.

View Program

1. Press PROGRAM button.
2. Press UP (Δ) or DOWN (∇) button to select the desired program sequence.
3. Press ENTER button. Detail of “ON” program (start time and operation mode setting) is displayed.
4. Press ENTER button. Detail of “OFF” program (stop time) is displayed.
5. Press ENTER button. Returns to the select program view.
6. Press PROGRAM button to exit.

OPERATION

(Wall Mounted Controller ONLY) (cont.)

Edit Program

1. Press and hold PROGRAM button for 3 seconds. "Pr 01" blinks.
2. Press UP (Δ) or DOWN (∇) button to select program sequence ("Pr 01" to "Pr 10").
Press ENTER button.
3. Press UP (Δ) or DOWN (∇) button to select the item to be edited.
Press ENTER button.
4. Press and hold PROGRAM button for 3 seconds to exit.

Delete Program

To clear all programs ("Pr 01" to "Pr 10"), press and hold RESET button for 3 seconds during program editing mode.

Note: All program are set to default (see page 44 for the default program displays).

Run and Stop Program

1. Press and hold RUN/STOP button for 3 seconds to activate preset program (clock symbol is displayed).
Program runs from "Pr 01" to "Pr 10".
2. Press and hold RUN/STOP button for 3 seconds to stop program.

Note:

1. *Confirm your program before running the program.*
2. *During program RUN, the keypad is locked except RUN/STOP button. To unlock, press "RUN/STOP" button.*
3. *When the unit detects operation failure, program "RUN" is automatically cancelled and displays self-diagnostic code.*
4. *Program runs sequentially from "Pr 01" to "Pr 10" sequence.*
5. *Programming must be done sequentially.*

OPERATION (Wall Mounted Controller ONLY) (cont.)

Program Plan Sheet

Program Plan

		Day of the week	Time	Mode	Fan mode	Fan speed	Set Temp.
Pr 01	START						
	STOP						
Pr 02	START						
	STOP						
Pr 03	START						
	STOP						
Pr 04	START						
	STOP						
Pr 05	START						
	STOP						
Pr 06	START						
	STOP						
Pr 07	START						
	STOP						
Pr 08	START						
	STOP						
Pr 09	START						
	STOP						
Pr 10	START						
	STOP						

SELF-DIAGNOSTIC CODES & BUZZER PATTERN

Self-Diagnostic Codes

Self-diagnostic codes are displayed with “CHECK” on LCD panel of the supplied wall mounted controller under the following conditions.

Note: When using the field supplied wall thermostats, the self-diagnostic codes are not displayed. Check buzzer pattern to distinguish each code. For remedy, see “Troubleshooting” from page 53 to 57.

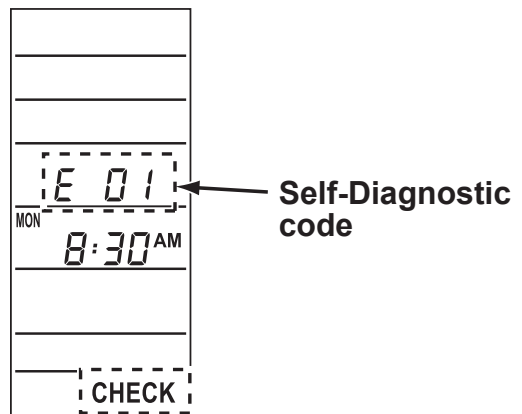
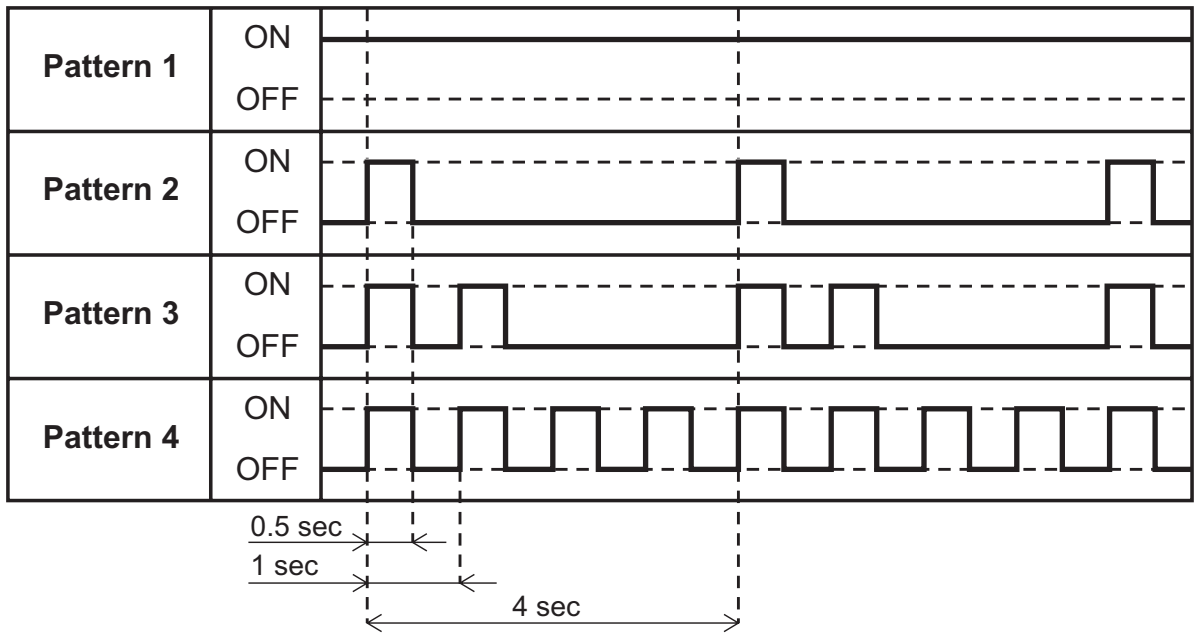


Table of Self-Diagnostic Codes

Self-Diagnostic codes (Wall mounted controller only)	Buzzer Pattern	Condition	Remedy
AL	1	Fire alarm is activated.	See “Troubleshooting” from page 53 to 57.
PU	3	Overflow protection is activated (internal pump).	
E07		Overflow protection is activated (optional pump).	
HP	4	High pressure protection is activated.	
E01	2	Sensor fail (RTS1: Wall mounted controller room thermistor)	
E02		Sensor fail (RTS2: Evaporator air inlet thermistor)	
E03		Sensor fail (ODS: Outdoor thermistor)	
E04		Sensor fail (CTS1: Condenser thermistor)	
E05		Sensor fail (CTS2: Evaporator pipe inlet thermistor)	
E06		Sensor fail (CTS3: Evaporator pipe outlet thermistor)	
E08	4	Wall thermostat communication error	
E09		Evaporator fan motor over current protection is activated.	
E10		Condenser fan motor over current protection is activated.	
OL		Compressor overload protection is activated.	
E11		Relay board communication error	
E12		Compressor error	
E13		Relay board error	

SELF-DIAGNOSTIC CODES & BUZZER PATTERN (cont.)

Buzzer Pattern



DAILY INSPECTION & MAINTENANCE

Cleaning Air Filters

The air filter on the evaporator return grill should be checked weekly for dust buildup.

Clean or replace air filter on a weekly basis. If the unit is used in a dusty environment, more frequent cleaning may be required.

A dirty air filter can reduce the air output, resulting in a decrease in cooling capacity.

Cleaning Condenser Air Intake

Inspect and remove dust buildup on the condenser air intake of the unit with a vacuum cleaner periodically to prevent insufficient cooling.

Ground Fault Breaker Testing

The ground fault breaker should be tested at least once a month.

TROUBLESHOOTING

Check the following items before calling your MovinCool reseller or a qualified technician.

Condition		Checking Area	Possible Cause	Remedy
Unit does not operate at all.	LCD display turns off.	1. Voltage	Power failure	Repair power supply.
				Turn the circuit breaker on.
		2. Ground fault breaker trip	Ground fault or defective ground fault.	Repair ground fault section.
				Reset or repair breaker.
		3. Fuse	Fuse is blown.	Replace fuse on the relay board.
		4. Wall mounted controller/ millivolt wall thermostat	Incorrect connection	Check wiring connection.
DIP switch setting is incorrect.	Correct DIP switch setting. (See “DIP Switch Configuration and Setting” on page 22.)			
5. Stop switch	Stop switch is in the STOP position.	Turn the stop switch off.		

TROUBLESHOOTING (cont.)

Condition		Checking Area		Possible Cause	Remedy
		Self-Diagnostic Codes (Wall mounted controller)	Buzzer Pattern		
Unit does not operate at all.	LCD displays self-diagnostic codes.	AL	1	Signal is input to the fire alarm connection.	Check the fire alarm signal connection. (See "Fire Alarm Connection (Input Signal) on page 34".) To reset: Press RESET button.
		PU	3	Drain hose clogged (for internal drain pump).	Check drain hose for any blockages or excessive kinks that may prevent water flow. To reset: Press RESET button.
				Drain hose trap position is too high to pump up condensation water (for internal drain pump).	Improve hose installation. To reset: Press RESET button.
				Internal drain pump is not working.	Check the internal drain pump connection. Replace drain pump. To reset: Press RESET button.

TROUBLESHOOTING (cont.)

Condition		Checking Area		Possible Cause	Remedy
		Self-Diagnostic Codes (Wall mounted controller)	Buzzer Pattern		
Unit does not operate at all.	LCD displays self-diagnostic codes.	E07	3	Drain hose is clogged (for optional drain pump).	Check drain hose for any blockages or excessive kinks that may prevent air flow. To reset: Press RESET button.
				Drain hose trap position is too high to pump up condensation water (for optional drain pump).	Improve hose installation. To reset: Press RESET button.
				Optional drain pump is not working.	Check the drain pump connection. Replace drain pump. To reset: Press RESET button.
		HP	4	Operating outside of the operating temperature range	Check environmental condition. To reset: Press RESET button.
				Insufficient air volume	Clean air filter. To reset: Press RESET button.
					Check ducting of intake and exhaust air, and make sure there are no objects that may prevent air flow. To reset: Press RESET button.

TROUBLESHOOTING (cont.)

Condition		Checking Area		Possible Cause	Remedy
		Self-Diagnostic Codes (Wall mounted controller)	Buzzer Pattern		
Unit does not operate at all.	LCD displays self-diagnostic codes.	E01	/	Defective RTS1 thermistor (short or open)	Replace the wall mounted controller. To reset: Press RESET button.
		E02		2	Improper RTS2 thermistor connection
					Defective RTS2 thermistor (short or open)
		E03	2	Loose ODS thermistor connection	Check connection. To reset: Press RESET button.
					Defective ODS thermistor (short or open)
		E04	2	Loose CTS1 thermistor connection	Check connection. To reset: Press RESET button.
					Defective CTS1 thermistor (short or open)
		E05	2	Loose CTS2 thermistor connection	Check connection. To reset: Press RESET button.
					Defective CTS2 thermistor (short or open)

TROUBLESHOOTING (cont.)

Condition		Checking Area		Possible Cause	Remedy
		Self-Diagnostic Codes (Wall mounted controller)	Buzzer Pattern		
Unit does not operate at all.	LCD displays self-diagnostic codes.	E06	2	Loose CTS3 thermistor connection	Check connection. To reset: Press RESET button.
				Defective CTS3 thermistor (short or open)	Replace CTS3 thermistor. To reset: Press RESET button.
		E08	/	Wall mounted controller lost communication with the unit for more than 10 seconds.	Check for connection or interference. To reset: Press RESET button.
		E09	4	Evaporator fan motor is locked.	Check for any foreign object which may cause fan lock. To reset: Press RESET button.
		E10	4	Condenser fan motor is locked.	Check for any foreign object which may cause fan lock. To reset: Press RESET button.
		OL	4	Compressor overload protection is activated by refrigerant leakage.	Repair of the leaking section and recharge of the correct amount of refrigerant are required. Contact your MovinCool reseller or a qualified technician. To reset: Press RESET button.
		E11	4	Relay board communication error occurs for 40 seconds.	Check all wire connection on the relay board. To reset: Press RESET button.

TROUBLESHOOTING (cont.)

Condition		Possible Cause		Possible Cause	Remedy
		Self-Diagnostic Codes (Wall mounted controller)	Buzzer Pattern		
Unit does not operate at all.	LCD displays self-diagnostic codes.	E12	4	Compressor error	Press RESET button, turn the power off, and turn the power on again.
		E13	4	Relay board error	Press RESET button, turn the power off, and turn the power on again.

Condition		Checking Area	Possible Cause	Remedy
Unit operates.	Insufficient air volume	Insufficient air volume	Air filter is clogged.	Clean or replace air filter.
			Leak or clog on the duct connection	Repair duct connection.
			Using longer duct length or smaller duct diameter than recommended.	Change the duct to proper size.
			Fan is locked.	Check any foreign object which may cause fan lock.

If conditions persist after the above actions have been taken, turn the unit off, disconnect the power and contact your MovinCool reseller or a qualified technician.

TECHNICAL SPECIFICATIONS

Electronic Features	Operation		Wall Mounted Controller with LCD display	
	Control		Electronic	
Electronic Characteristics	Voltage requirement		208/230 V, 1 phase, 60 Hz	
	Min.- Max. voltage		Min. 198 V, Max. 253 V	
	Recommended fuse size		20 A	
Cooling Capacity and Power Consumption				
Evaporator: 80 °F (27 °C), 50 %RH / Condenser: 95 °F (35 °C), 50 %RH	Total cooling capacity		25,000/25,000 Btu/h (7,320/7,320 W)	#1
	Sensible cooling capacity		18,000/18,000 Btu/h (5,280/5,280 W)	#1
	Power consumption		2.90/2.90 kW	#1
	Current consumption		13.6/12.6 A	#1
Evaporator: 72 °F (22 °C, 50 %RH / Condenser: 95 °F (35 °C), 50 %RH	Total cooling capacity		25,000/25,000 Btu/h (7,320/7,320 W)	#1
	Sensible cooling capacity		18,900/18,900 Btu/h (5,580/5,580 W)	#1
	Power consumption		3.20/3.20 kW	#1
	Current consumption		15.0/15.0 A	#1
SEER			14/14	#1
Evaporator	Type of fan		Centrifugal Fan	
	Air flow	High	850/950 CFM (1,145/1,615 m ³ /h)	
		Low	700/800 CFM (1,190/1,360 m ³ /h)	
	Max. External static pressure		0.6 IWG (150 Pa)	
	Motor output		0.21 kW	
Condenser	Type of fan		Centrifugal Fan	
	Air flow	High	1,490/1,600 CFM (2,530/2,720 m ³ /h)	
		Low	1,190/1,300 CFM (2,020/2,210 m ³ /h)	
	Max. External static pressure		0.5 IWG (125 Pa)	
	Motor output		0.35 kW	
Compressor	Type		Hermetic Swing Inverter	
Refrigerant	Type		R-410A	
	Amount		2.31 lb (1.05 kg)	
Dimension	W x D x H (without flange)		53 x 32 x 20 in (1,346 x 813 x 508 mm)	
	W x D x H (with flange)		57 x 36 x 20 in (1,448 x 914 x 508 mm)	
Weight	Net / Shipping		310/353 lb (140/160 kg)	
Condensate Pump Capacity	Pump Rate		5.0 gal/h (19 L/h)	
	Head		4 ft (1.2 m)	
Operating Condition Range	Evaporator	Max. Inlet Air	95 °F (35 °C), 50 %RH	
		Min. Inlet Air	60 °F (15.5 °C), 50 %RH	
	Condenser	Max. Inlet Air	113 °F (45 °C)	
		Min. Inlet Air	50 °F (10 °C)	
Maximum Duct Length	Cold duct hose		120 ft (36.6 m)	#2
	Hot duct hose		90 ft (27.4 m)	#2
Maximum Sound Level	Under ceiling tile with evaporator duct		55/55 dB (A)	

#1: With two 20 feet (6.1 m) duct with one 90° bend each, supply grill and return grill with filter (0.30 IWG (75 Pa) external static pressure)

#2: Confirm pressure drop of duct, grills and filter with manufactures specifications.



LIMITED WARRANTY

DENSO SALES CALIFORNIA, INC. (“DENSO”) warrants its MOVINCOOL Products only to the extent stated in its official written warranties. Unless otherwise specifically provided in writing by DENSO, DENSO warrants to end-user that the Products shall be free of defects in materials or workmanship and will function in accordance with DENSO’s published specifications under ordinary intended use and service for a period of twelve (12) months after delivery to the end-user; provided, however in the case of the compressor element of the Products such warranty shall be for a period of thirty six (36) months after delivery to the end-user. DENSO shall, at its sole option, repair or replace any defective Product covered by this warranty. Such remedy shall be end-user’s sole remedy with respect to any particular defect in the Products.

This warranty does not cover defects or malfunctions which result from causes beyond DENSO’s control, including, without limitation, (i) unusual physical or electrical stress; (ii) accident, neglect, abuse, misuse or other abnormal use; (iii) failure to perform routine maintenance in accordance with DENSO’s recommended procedures; (iv) normal wear and tear; (v) repairs or attempted repairs by an unauthorized person; (vi) modifications or alterations to the Products; (vii) use with supplies or devices not supplied or approved by DENSO; or (viii) improper servicing. This warranty shall extend only to the original end-user and shall be void if any labels or other identifying marks permanently affixed to Products when shipped by DENSO are removed, altered, defaced or obliterated.

The aforesaid warranty is the only warranty made by DENSO with respect to the Products and is in lieu of all obligations or liabilities on the part of DENSO for damages arising out of or in connection with the sale, use or performance of the Products, including, without limitation, any lost profits or any other consequential, incidental, special or exemplary damages of any kind.

DENSO DISCLAIMS ALL OTHER WARRANTIES WITH REGARD TO THE PRODUCTS, INCLUDING ALL IMPLIED WARRANTIES OF MERCHANTABILITY AND FITNESS FOR USE. THERE ARE NO WARRANTIES WHICH EXTEND BEYOND THE DESCRIPTION CONTAINED HEREIN.

PURCHASE DATE: _____

SERIAL NUMBER: _____

DENSO

DENSO SALES CALIFORNIA, INC.

Long Beach, CA 90810

www.movincool.com

P/N: 484007-3200EN

First Issue: October 2009